



IBM Field Engineering Theory of Operation

System/360 Model 40

Comprehensive Introduction

Preface

This manual describes the basic data flow, machine instruction, and channel operations of the IBM 2040 Processing Unit. The basic numbering systems used within the IBM System/360 are explained in detail. A thorough understanding of this information is helpful in the study of the more complex units of the system.

Other manuals useful in understanding the Model 40 are:

IBM System/360 Model 40, Functional Units, Order No. SY22-2843

IBM System/360 Model 40, Theory of Operation, Order No. SY22-2844

IBM System/360 Model 40, Power Supplies, Features, and Appendix, Order No. SY22-2845

IBM System/360 Model 40, Maintenance Manual, Order No. SY22-2841

IBM System/360 Model 40, Diagrams Manual, Order No. SY22-2842

Solid Logic Technology Power Supplies, Order No. SY22-2799

Solid Logic Technology, Packaging, Tools, and Wiring Change, Order No. SY22-2800

This manual is written to engineering change level 254814 for ALD's and CLD level 255263.

Sixth Edition (April, 1970)

This edition, Order No. SY22-2840-2, is a reprint of Form Y22-2840-1 incorporating changes released in FE Supplement Y22-6783, dated January 31, 1969. Changes are periodically made to the specifications herein; any such changes will be reported in subsequent revisions or FE Supplements.

This manual has been prepared by the IBM Systems Development Division, Product Publications, Dept. B96, P.O. Box 390, Poughkeepsie, N.Y. 12602. A form for readers' comments is provided at the back of this publication. If the form has been removed, comments may be sent to the above address.

Contents

Introduction to IBM System/360 Model 40	5	Standard Interface	36
System/360	5	Input/Output Operations	36
The Processor Family	5	Channel Types	37
Flexibility and Compatibility	6	Channel Operation	38
System/360 Model 40	6	Channel Program	38
Computer Functional Units	6	Device Addressing	39
Functional Units – System/360 Model 40	9	Channel Address Word (CAW)	40
Data Formats	10	Channel Command Word (CCW)	40
Data Coding	10	Channel Control	41
Binary Coding	10	Channel Status	42
Hexadecimal Coding	13	I/O Instructions	43
Decimal Coding	13	Interrupts	45
Data Codes for Input/Output	14	Generation and Stacking of I/O Interrupts	45
Other Data Codes	16	Clearing of I/O Interrupts	46
Binary Fixed-Point Arithmetic	16	Sequencing Channel Interrupts	47
Add and Subtract	16	I/O Interrupt Handling	47
Multiply	17	Examples of Interrupt Sequencing	47
Divide	17	Initial Program Load (IPL)	49
Floating-Point Arithmetic	17	Multiprogramming	49
Exponential Numbers	18	System/360 Concept	50
Floating-Point Notation	18	Operating System Principles	51
Decimal Arithmetic	20	Error Detection and Handling	52
System Controls	22	Machine Malfunctions	52
Instructions	22	Programming Errors	52
Instruction Format	22	Basic Data Paths	53
Address Generation	23	Main Registers and 16-Bit Data Flow	53
Instruction Types	24	ALU and 8-Bit Data Flow	53
Data-Handling Instructions	24	Staticizer Latches (Stats)	53
Branch Instructions	27	Local Storage and Addressing	53
Sequential Instruction Execution	28	Main Storage (MS)	55
Program Status	29	Data Transfers	56
Program Status Word (PSW)	29	Addressing	56
Status Switching Instructions	30	Extended Addressing	56
Interrupt System	30	Special Area	56
Types of Interrupts	31	Control	56
Permanent Main Storage Locations	31	Channels	57
Priority of Interrupts	32	Multiplex	57
Masking of Interrupts in PSW	32	Selector Channel	57
Interrupt Code in PSW	33	Basic System Timing	59
Instruction Length Code (ILC) in PSW	34	CPU Timing	59
CPU Status	34	CPU and MS Timing	59
I/O System	35	Microprogramming Concepts	61
Sample System Configuration	35		

List of Illustrations

FIGURE	TITLE	PAGE	FIGURE	TITLE	PAGE
Introduction to IBM System/360 Model 40			15.	Sample System Configuration	35
1. System Configurations		7	16.	Channel Command Word Format	40
2. Functional Parts of a Computer		8	17.	Channel Status Word Format	42
3. Functional Parts of IBM 2040		8	18.	Initial System Status	48
Data Formats			19.	Situation After Steps 1 to 6	48
4. Data Formats		11	20.	Situation After Steps 7 to 10	48
5. Powers of Two		12	21.	Situation After Steps 11 to 13	49
6. Packed Decimal Format		13	22.	Situation After Steps 14 to 16	49
7. EBCDIC and ASCII Tables		14	Basic Data Paths		
8. Extended Card Code		15	23.	2040 Simplified Data Flow	54
9. Zoned Decimal Format		16	24.	Main Registers and 16-Bit Data Flow	55
10. Floating-Point Format		19	25.	ALU and 8-Bit Data Flow Added	55
System Controls			26.	Staticizer Latches Added	55
11. Five Basic Instruction Formats		22	27.	Local Storage Added	55
12. Alphabetic List of Instructions (Sheet 1 of 2)		25	28.	Main Storage and 16-Bit Buses Added	56
12. Alphabetic List of Instructions (Sheet 2 of 2)		26	29.	Read Only Storage Added	57
13. Program Status Word Format		29	Basic System Timing		
14. Permanent Storage Assignments		32	30.	Timing Relationships	60

Abbreviations

A0	A Register byte 0	LS	Local Storage
A1	A Register byte 1	LSAR	Local Storage Address Register
AX	A Register Extension	LSD	Least Significant Digit
ALU	Arithmetic and Logic Unit	MAP	Maintenance Analysis Procedure
AMWP	Bits 12-15 of the PSW	MC	Machine Check
A Reg	A Register	MDM	Maintenance Diagram Manual
ASCII	American Standard Code for Information Interchange	MI	Maskable Interrupt
B	Base Register	MS	Main Storage
BCD	Binary Coded Decimal	MSC	Machine Status Chart
BCDIC	Binary Coded Decimal Interchange Code	MSD	Most Significant Digit
B Reg	B Register	MSS	Manual Single Shot
CAS	Control Automation System	OS	Operating System
CAW	Channel Address Word	P	Parity (bit)
CC	Chain Command	PC	Parity Check
CC	Condition Code	PCI	Program Control Interrupt
CCW	Channel Command Word	PG	Parity Generation
CDA	Chain Data Address	PRI	Program Interrupt
CE	Channel End	Prg Chk	Program Check
CI	Command Immediate	PSA	Protected Storage Address
CLD	CAS Logic Diagram	PSW	Program Status Word
CLFC	Condensed Logic Flow Chart	Pty	Parity
COBOL	Common Business Oriented Language	Rx	Operand Register
CPU	Central Processing Unit	ROAR	Read Only Address Register
C Reg	C Register	ROBAR	Read Only Back-up Address Register
CSW	Channel Status Word	ROS	Read Only Storage
CT	Count	ROSCAR	ROS Channel Address Register
CU	Control Unit	RR	Register-to-register operations
CX	C Register Extension	R Reg	R Register
C0	C Register byte 0	RS	Register-to-storage operations
C1	C Register byte 1	rtpt	reinterpret
D	Displacement Address	RX	Register-to-indexed-storage operations
D Reg	D Register	RX	R Register Extensions
D0	D Register byte 0	R0	R Register byte 0
D1	D Register byte 1	R1	R Register byte 1
DE	Device End	R/W	Read/write
Decr	Decrement	SAB	Storage Address Bus
Del	Delayed	SAT	Storage Address Test
Des	Destination	SC	Selector Channel
DM	Diagnostic Monitor	SI	Storage-and-immediate-operand operation
EBCDIC	Extended Binary Coded Decimal Interchange Code	SIO	Start I/O (Input/Output)
EC	Engineering Change	SILI	Suppress Incorrect Length Indicator
ECAD	Error Checking Analysis Diagram	SLT	Solid Logic Technology
FNB	Functional Branch	SMS	Standard Modular System
FORTRAN	Formula Translating System	SP	Storage Protect
FP	Floating Point	SPLS	Storage Protect Local Storage
GP	General Purpose (Registers)	S Reg	S Register
HEX	Hexadecimal	SS	Storage-to-storage operation
HIO	Halt I/O (Input/Output)	SSK	Set Storage Key
I	Immediate Data (not in text)	STATS	Staticizer Latches
IB	Instruction Buffer	SVC	Supervisor call (op code)
IC	Instruction Count	SX	S Register Extension
ICC	Interface Control Check	S0	S Register byte 0
ID	Inhibit Dump	S1	S Register byte 1
IDQ	Invalid Decimal Digit (on Q bus)	TCH	Test Channel
IF	Interface	TIC	Transfer in Channel
ILC	Instruction Length Code	TIO	Test I/O (Input/Output)
I/O	Input/Output	TROS	Transformer Read Only Storage
IOCS	Input/Output Control System	UBA	Use Bump Address
IPL	Initial Program Load	UCW	Unit Control Word
IR	Interrupt Request	Unobt	Unobtainable
ISA	Invalid Storage Address	WLR	Wrong Length Record
ISK	Insert Storage Key	X	Index Register
IZT	Integrated Zero Test	YC	Carry Latch
L	Operand Length	YCH 1, 3	Selector Channel Stats 1, 3
LDB	Load Button	YCI	Indirect Function Carry Stat
		YCD	Direct function Carry Stat
		μP	Microprogram

- **Computers process large quantities of information at electronic speeds.**
- **Computers can process any information in appropriate form.**

Modern methods of accounting, management and science generate large quantities of information that must be processed quickly and accurately.

The first steps in automation of office work took place a long time ago, when devices were introduced to relieve the staff from simple but repetitive jobs like writing a date or name (ink stamp). Later the desk calculator and the typewriter were added. Business data were stored and filed on sheets of paper; and many members of the office staff were busy keeping the files up to date.

Early scientists wasted years of their lives with relatively simple but highly repetitive calculations to find or prove laws of nature from the observation data they collected (planetary orbits for example). Calculating devices were among the first machines to handle scientific data.

Introduction of the punched card led to a new stage in information processing. The information itself was now in a form that could be read directly by machines. A great variety of machines were developed to automate various steps in data handling such as sorting, collating, reproducing, accumulating, calculating and printing. Intermediate results had still to be transferred manually from one machine to another and many business decisions and interventions were necessary to obtain the final result.

When electronic discoveries were applied, the speed for the single steps was vastly increased; but, more important, the single operations were interconnected so that transport of data and intermediate results was automated. This new machine, as we know it today, is the modern computer or data processing system.

Computers can process any type of information. The basic unit of information a system can handle may be only one decimal digit or alpha character at a time, but with groups and combinations of these elements any type of information can be described: numbers, values, words, messages, diagrams, photographs, etc.

Today's computers are used not only in the traditional fields of office automation and scientific calculations, but to automate such tasks as:

1. Control of automatic plants

2. Translation from one language to another
3. Medical diagnostics
4. Analysis of photographic equipment from weather satellites and other scientific equipment.

System/360

Since the early electro-mechanical calculators such as the IBM 602A, the development of IBM computing devices has moved progressively from the use of thermionic tubes to solid-state circuits. Using tube circuits in the IBM 604 and 700 series, IBM progressed to solid-state standard modular system (SMS) circuitry in the 609, 1400 and 7000 series of machines.

The IBM System/360 makes use of IBM's latest technological advance – solid logic technology (SLT). This technology advances solid-state circuitry a stage further by repacking semiconductor circuits in sealed modules. This technique results in lower cost, greater reliability, faster switching speeds, and lower heat dissipation.

In order to achieve the compactness needed for high speeds (electronic transit delays increase with distance to be travelled) a condensed form of logic was needed. SLT advances this compactness one stage further. A component density increase of about nine to one over SMS has been achieved. In addition, the circuit delays within circuit cards and components have been reduced. Operating at basic levels of 3, 6, and 12 volts, SLT circuits divide into three families of low, medium, and high-speed components having average delay-per-stage rating of 700, 30, and 10 nanoseconds, respectively.

The over-all result is a range of processors of greatly reduced size and increased performance. These processors, together with an extremely wide range of equipment, constitute the IBM System/360.

The Processor Family

The IBM System/360 is a family of processors and input/output equipment designed for applications including scientific and commercial data processing, process control, data acquisition, and teleprocessing. Each processor in the range, which covers from the medium-small (similar to the 1440) to the very large (similar to the 7094), can have several sizes of main storage.

Storage sizes are indicated by suffixes from C (8K bytes of storage) to I (512K bytes). Typical examples would be 2030D and 2060H, which are a model 30 with 16K bytes and a model 60 with 256K bytes of storage, respectively.

Flexibility and Compatibility

A wide range of input/output equipment is available for attachment to processors in the System/360. This equipment includes high and low-speed card reader-punches; printers; magnetic tape, disc, and drum units; paper-tape readers; inquiry and display terminals; transmission adapters; audio-response units; keyboard consoles; and optical and magnetic readers and printers. Figure 1 illustrates some typical system configurations.

The flexibility in processor and system configuration allows systems to be tailored to the individual user needs. In addition, a wide range of optional features extends the flexibility in system design.

The different models in the System/360 are compatible. This means that the instruction set is common and programs written for one system can run on any other, if the requirements for main storage, features, and input/output are fulfilled. This important factor reduces reprogramming to a minimum and provides for trouble-free system growth.

Most of the available types of System/360 input/output may be attached to any model in the range. This is made possible by the standard interface, a standard set of control and data lines interconnecting the processor channels and the input/output control units. Thus, many combinations of processors and input/output are possible.

System/360 Model 40

The Model 40 is a medium-small member of the IBM System/360. In physical size, its processor, the IBM 2040, is comparable with the IBM 1401 Processing Unit. Its computing power is, however, roughly three times that of an IBM 7070 Data Processing System for commercial work, and about twice that of an IBM 709 system for scientific work.

The range of input/output and data communications equipment that may be attached to the Model 40 allows the design of systems covering a wide range of applications and powers. A standard multiplex channel and two optional selector channels further enhance this model's input/output flexibility. Over all, the Model 40 fulfills IBM's objective of providing greater flexibility and increased computing power at reduced cost.

Microprogramming replaces many of the circuits previously required for the control and sequence of computer operations. The microprogram is stored in coded form in transformer read only storage (TROS).

The net result of applying these techniques is a compact processor requiring less electrical power, having a smaller heat dissipation, and achieving a reduction in size of approximately nine to one over an equivalent 7070 processor.

Computer Functional Units

- **Five functional sections:**

- Input**
- Storage**
- Arithmetic and Logical Circuits**
- Control**
- Output**

- **Data and instructions must be in the language of the system.**
- **Instructions to be performed must be broken down into steps the system can handle.**
- **A sequence of instruction steps is called a program.**

A modern computer (Figure 2) has five distinct functional sections: input, storage, arithmetic and logical circuits, control, and output.

All information to be used by the computer must pass through the input section. The input section interprets information and converts it into a form that the computer can handle. The input section may be one simple device or a big system of input consisting of card readers, magnetic tape units, disk storages, transmission lines, etc.

From the input, the information is directed to the storage section. The main purpose of the storage section is to hold the information necessary to instruct the system in what it has to do, and to serve as an information buffer between input and output sections.

The storage section of a computer consists mostly of a core storage unit with a capacity from a few thousands to many hundreds of thousands of characters, and an access time which is of the same order as the internal processing speed.

The control section directs the operation of the entire system. It receives directions from the storage portion where all instructions for a particular job are stored, prior to processing, in the sequence the machine is expected to execute them.

These instructions obviously must describe the single steps in a code that the control section can recognize and execute. The range of instructions that a computer can execute is relatively small; the instructions themselves are simple. For example, to calculate the square

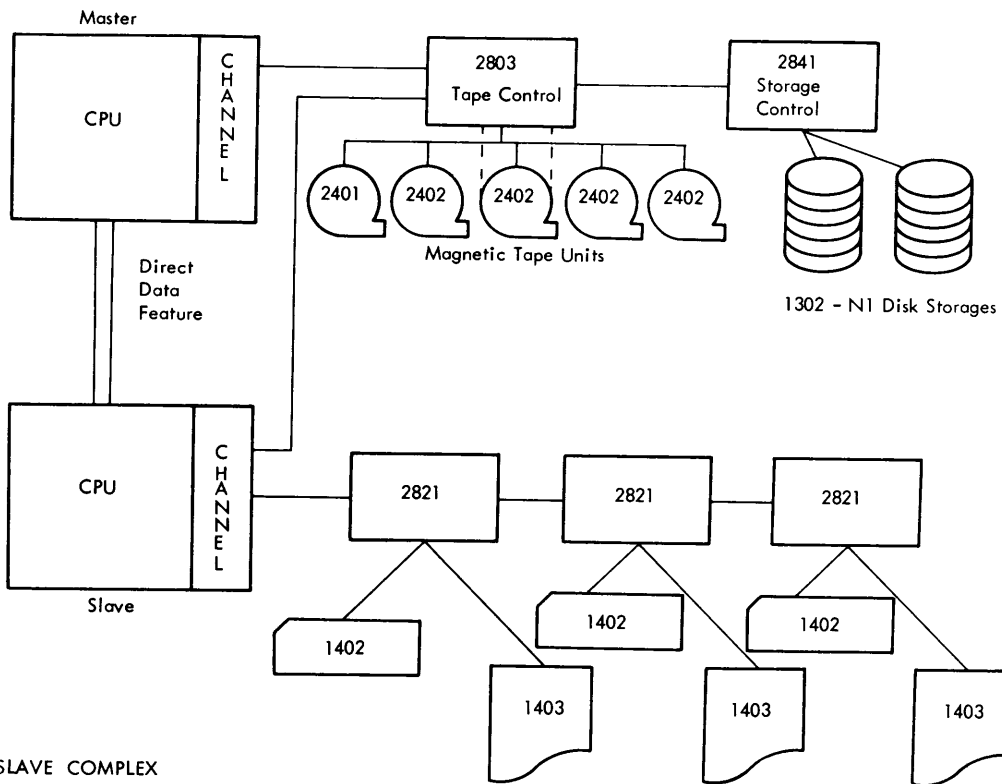
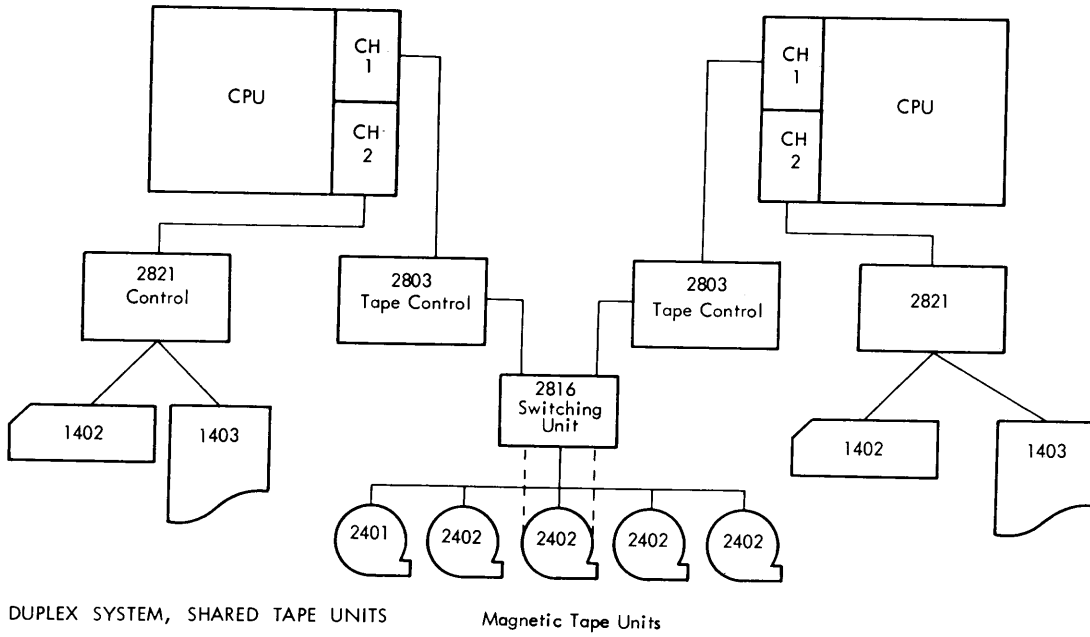
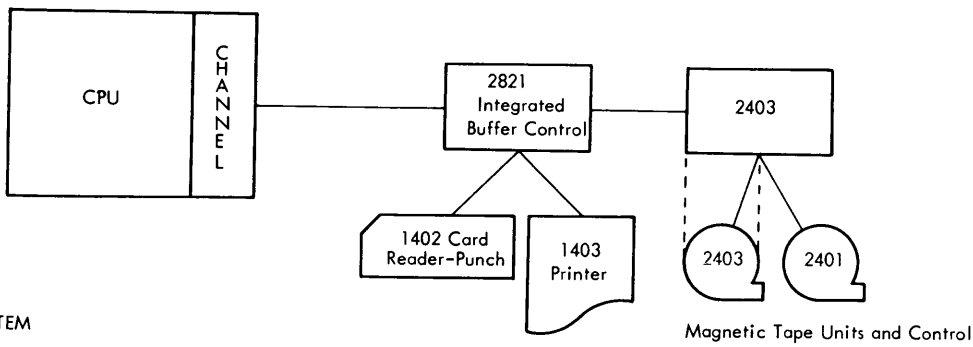


Figure 1. System Configurations

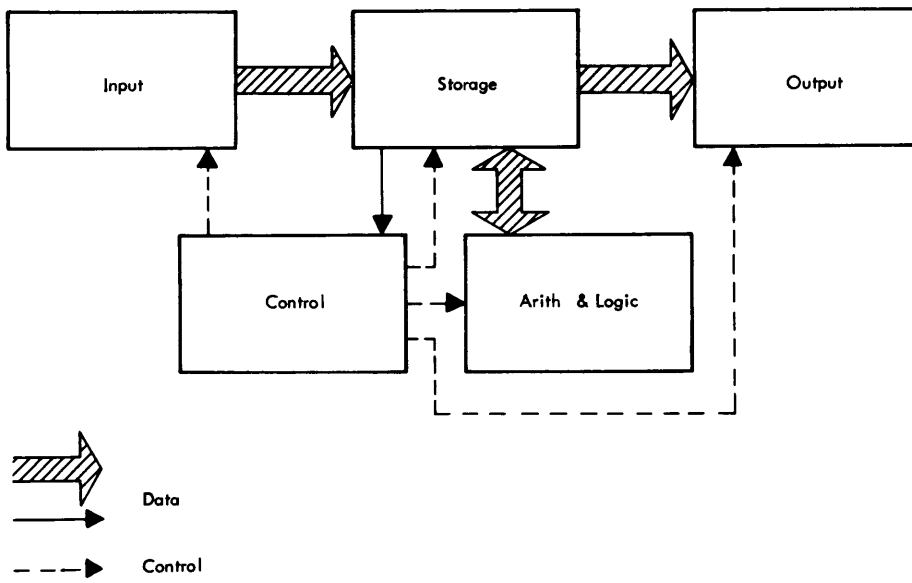


Figure 2. Functional Parts of a Computer

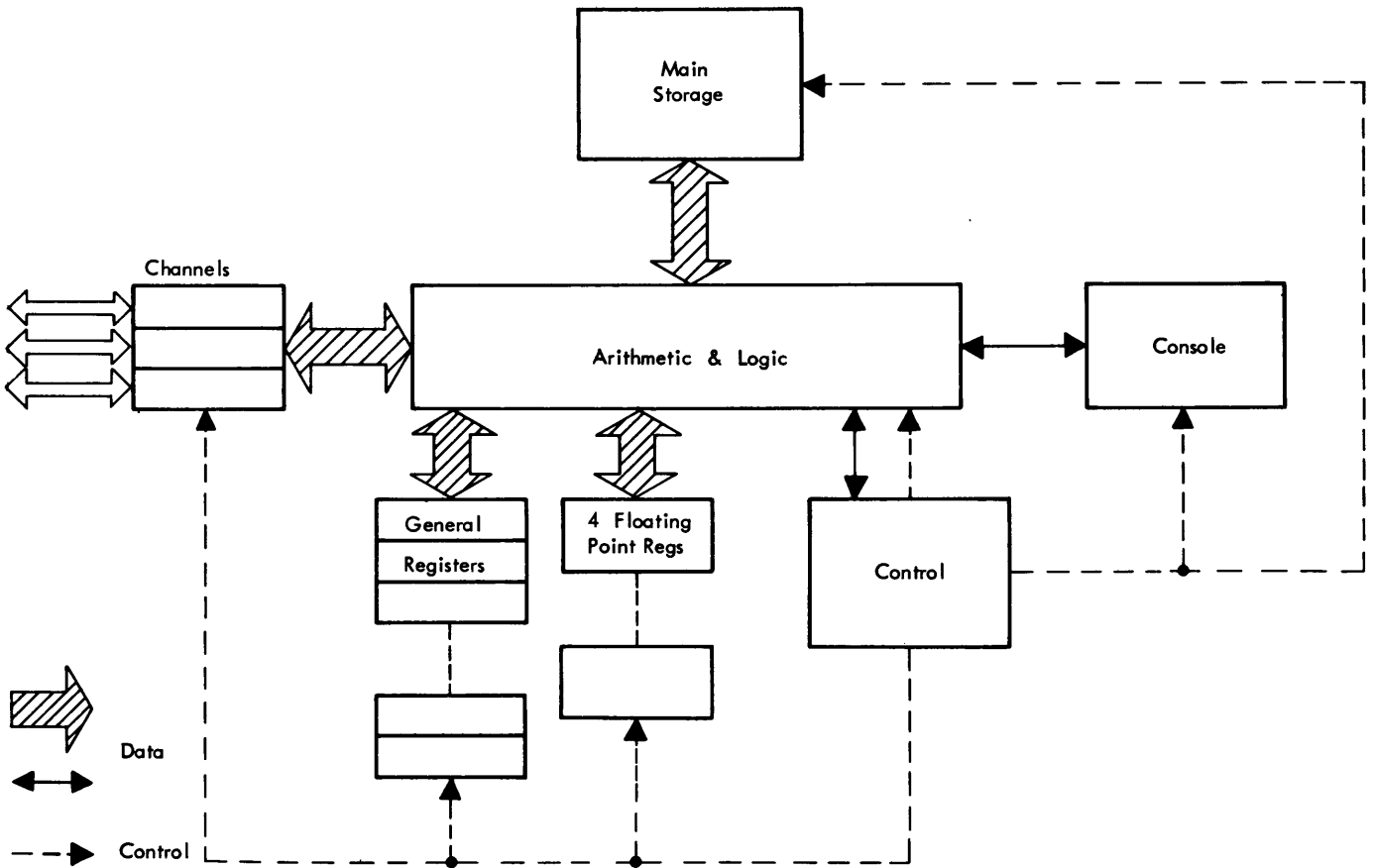


Figure 3. Functional Parts of IBM 2040

root of a number, the operation has to be broken down into a sequence of additions, multiplications, and divisions. A sequence of these steps is called a program.

The arithmetic and logical unit receives data from storage and performs the operations as directed by the control section. Intermediate or final results are put back into storage and then moved to the output section.

The output can be printed, punched into cards, written on magnetic tape or disks, or it can be directly used to control other systems.

Functional Units—System/360 Model 40

- **Input/output (I/O) units are physically separated from the central computer.**
- **The central computer is known as the IBM 2040.**
- **Three channels are provided to control I/O operations.**
- **In addition to main storage, high-speed data registers can store operands and intermediate results.**
- **A console contains the necessary operating controls.**

Compared with the functional units of a general computer concept, as shown in Figure 2, a more specific breakdown is given in Figure 3.

1. The arithmetic and logic circuitry is the center of all information handling.

2. Main storage is connected as before to this circuitry.

3. I/O information does not flow directly to and from main storage, but passes through the common data-handling section and subsequently through the only main storage access path.

4. Up to three channels are provided to communicate with I/O devices. Channels can be regarded as independent computers to handle I/O operations concurrently with the CPU operations. Once instructed by the CPU they perform all functions necessary to complete an I/O operation on their own, selecting and controlling the I/O device, and performing the data transfer to or from main storage.

5. One channel can communicate with several I/O units. See Figure 1.

6. The time for one main storage cycle $2.5 \mu\text{sec}$ (read/write) takes four internal process cycles (625 nanoseconds each); therefore, an intermediate storage for efficient data handling is introduced. 16 general, and 4 floating-point registers are provided.

7. For operator and customer engineer controls and interventions, a console panel provides access to all functional parts of the processor.

Data Formats

- The basic unit of information within the system is the binary bit.
- 8 bits are grouped together to form one byte.
- The byte is the basic unit of information that can be addressed and processed.
- Information can be either in a fixed-length or variable-length format.
- Fixed-length formats are:
 - 1 Byte
 - 2 Bytes = Halfword
 - 4 Bytes = Word
 - 8 Bytes = Double word
- Any operand in main storage is specified by the address of its leftmost byte.
- Fixed-length information must be held in main storage at the proper boundaries.
- Each general register (Figure 3) can store one word.
- Each floating-point register (Figure 3) can store one double word.
- Every byte contains a ninth bit for parity checking.
- Correct parity is always an odd bit count.

Common practice in computers is to refer to each of the individual units of information as a binary bit. Throughout the system all components are always in one of two possible states: a line is active or inactive, a latch is on or off, etc. Components that operate in this manner are said to be binary; the active or on state represents a binary 1, the inactive or off state a binary 0.

In order to represent decimal digits, letters, special characters, etc., a combination of several bits has to be used. In System/360, this unit of bit combinations is a group of 8 bits, called one byte. The byte is the basic information block that can be addressed and processed. The byte is also the unit in which the capacity of storage devices is expressed. Bytes may be handled individually or grouped together. A halfword is a group of 2 consecutive bytes. A word is a group of 4 consecutive bytes. A double word is a group of 8 consecutive bytes.

Every general register (Figure 3) can store 4 bytes (word). Every floating-point register can store 8 bytes (double word).

The location of any field or group of bytes in main storage is specified by the address of its leftmost byte, except during read backward operations when the address specified is that of the rightmost byte.

The length of a field is either implied by the operation to be performed or stated explicitly as part of the instruction. When the length is implied, the information is said to have a fixed length which can be either 1, 2, 4 or 8 bytes.

Fixed-length information held in main storage must be located at the correct address boundaries. The address (leftmost byte) for any fixed-length information must specify one of the addresses that will be obtained if the complete storage, starting with address 0, would be consecutively filled with that information.

Consequently: Bytes can be stored at any address. Halfwords (2 bytes) must be stored at addresses that are multiples of 2. Words (4 bytes) must be stored at addresses that are multiples of 4. Double words (8 bytes) must be stored at addresses that are multiples of 8.

Within any fixed-length format, the bits making up the format are consecutively numbered from left to right, starting with the number 0 (Figure 4).

When the length of a field is stated explicitly, the information is said to have variable length. Variable-length fields can be from 1 to 256 bytes in increments of one byte; no boundaries have to be observed.

Every byte of information contains a ninth bit, the parity or check bit. Over-all parity per byte is always odd and is always checked when the byte is processed.

Data Coding

Information is represented in binary coding. Certain bit configurations can represent other types of coding.

Binary Coding

- The binary system is a place-value number system with the base 2.
- All numbers are expressed with the two symbols 0 and 1.
- Negative numbers are expressed in two's complement form.
- Binary numbers of various lengths are used within the system.

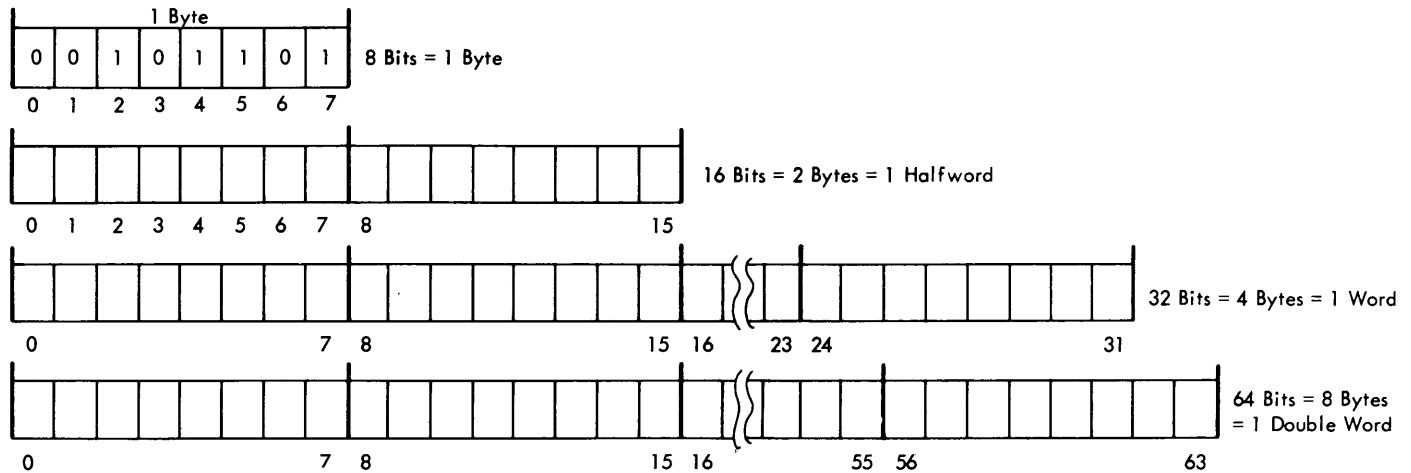


Figure 4. Data Formats

- Instructions translate numbers from the decimal to the binary system and vice versa.

The binary number system is a place-value system, as is the decimal system, differing from it in that its base is the number 2 (Figure 5). There are only two symbols, 0 and 1, with which all numbers are expressed. In the decimal system ten symbols are used: 1, 2, 3, 4, 5, 6, 7, 8, 9, and 0.

Examples:

1. The decimal number 209 actually means:
 $(2 \times 10^2) + (0 \times 10^1) + (9 \times 10^0)$
 equally, in the binary system, the number 101 means:
 $(1 \times 2^2) + (0 \times 2^1) + (1 \times 2^0)$
 5 (decimal)
2. The decimal number 6.35 actually means:
 $(6 \times 10^0) + (3 \times 10^{-1}) + (5 \times 10^{-2})$
 $(6 \times 10^0) \times \left(3 \times \frac{1}{10^1}\right) + \left(5 \times \frac{1}{10^2}\right)$
 The binary number 11.01 means:
 $(1 \times 2^1) + (1 \times 2^0) + (0 \times 2^{-1}) + (1 \times 2^{-2})$
 $(2) + (1) + (0) + \left(1 \times \frac{1}{2^2}\right)$
 3.25 (decimal)

Negative numbers are expressed in complement form. The complement of any number is obtained by subtracting the number from the highest number in the system and adding a one to this intermediate result.

The complement calculated by this method is known as: the two's complement in the binary system and the ten's complement in the decimal system.

Examples:

1. Decimal system – a number system of four positions is assumed.

ten's complement of	15
highest number	9999
subtract 15	15
	<u>9984</u>
add 1	<u>9985</u>

The highest digit position is used to indicate the sign: 0 for positive, 9 for negative. Not all possible numbers are valid in this system; the sign position can only be 0 or 9

Possible numbers in this system range from:

Most negative number	9000 (-1000)
Least negative number	9999 (-1)
Zero	0000 (0)
Most positive number	0999 (999)

2. Binary system – four-position number system.

two's complement of	101 (decimal 5)
highest number	1111
subtract 101	101
	<u>1010</u>
add 1	<u>1011</u>

The highest digit position is used to indicate the sign: 0 for positive, 1 for negative. All possible numbers in this system are valid.

Numbers in this system range from:

Most negative number	1000 (decimal -8)
Least negative number	1111 (decimal -1)
Zero	0000
Most positive number	0111 (decimal 7)

The rule for complementing binary numbers is: invert every bit of the number and add 1.

Example:

$$\begin{array}{r} 0111 - \text{invert: } 1000 - \text{add 1: } 1001 \\ +7 \qquad \qquad \qquad -7 \end{array}$$

Recomplementing a negative number follows the same rules discussed previously.

Decimal:	9985 (-15)
	9999
	<u>-9985</u>
	0014
	+ 1
	<u>15</u>
Binary:	1011 (-5)
Invert:	0100
	+ 1
	<u>0101</u>

Binary numbers are used for all internal purposes; addressing is always binary (main storage, register,

2^n	n	2^{-n}
1	0	1.0
2	1	0.5
4	2	0.25
8	3	0.125
16	4	0.062 5
32	5	0.031 25
64	6	0.015 625
128	7	0.007 812 5
256	8	0.003 906 25
512	9	0.001 953 125
1 024	10	0.000 976 562 5
2 048	11	0.000 488 281 25
4 096	12	0.000 244 140 625
8 192	13	0.000 122 070 312 5
16 384	14	0.000 061 035 156 25
32 768	15	0.000 030 517 578 125
65 536	16	0.000 015 258 789 062 5
131 072	17	0.000 007 629 394 531 25
262 144	18	0.000 003 814 697 265 625
524 288	19	0.000 001 907 348 632 812 5
1 048 576	20	0.000 000 953 674 316 406 25
2 097 152	21	0.000 000 476 837 158 203 125
4 194 304	22	0.000 000 238 418 579 101 562 5
8 388 608	23	0.000 000 119 209 289 550 781 25
16 777 216	24	0.000 000 059 604 644 775 390 625
33 554 432	25	0.000 000 029 802 322 387 695 312 5
67 108 864	26	0.000 000 014 901 161 193 847 656 25
134 217 728	27	0.000 000 007 450 580 596 923 828 125
268 435 456	28	0.000 000 003 725 290 298 461 914 062 5
536 870 912	29	0.000 000 001 862 645 149 230 957 031 25
1 073 741 824	30	0.000 000 000 931 322 574 615 478 515 625
2 147 483 648	31	0.000 000 000 465 661 287 307 739 257 812 5
4 294 967 296	32	0.000 000 000 232 830 643 653 869 628 906 25
8 589 934 592	33	0.000 000 000 116 415 321 826 934 814 453 125
17 179 869 184	34	0.000 000 000 058 207 660 913 467 407 226 562 5
34 359 738 368	35	0.000 000 000 029 103 830 456 733 703 613 281 25

Figure 5. Powers of Two

Data Codes for Input/Output

- I/O information is handled in units of one byte.
- Character-sensitive units use codes with one character per byte.
- Two character sets are standard, EBCDIC and ASCII.
- An extended card code provides punching of any character in one card column.
- Decimal numbers are coded in zoned decimal.
- The least-significant character includes the sign.
- Instructions are provided to convert zoned decimal into packed decimal and vice versa.

Bit Positions → 01

→ 23

→ 4567

	00				01				10				11				
	00	01	10	11	00	01	10	11	00	01	10	11	00	01	10	11	
0000	NULL				blank	&	-		a	i			>	<	±	0	
0001							/		b	k	s			A	J		1
0010									c	l	t			B	K	S	2
0011									d	m	u			C	L	T	3
0100	PF	RES	BYP	PN					e	n	v			D	M	U	4
0101	HT	NL	LF	RS					f	o	w			E	N	V	5
0110	LC	BS	EOB	UC					g	p	x			F	O	W	6
0111	DEL	IDL	PRE	EOT					h	q	y			G	P	X	7
1000									i	r	z			H	Q	Y	8
1001					.		,	"						I	R	Z	9
1010					?	!	:										
1011					.	\$,	#									
1100					←	*	%	@									
1101					()	~	'									
1110					+	;	-	=									
1111					‡	∅	±	√									

EXTENDED BINARY-CODED-DECIMAL INTERCHANGE CODE (EBCDIC)

EBCDIC	0	1	2	3	4	5	6	7
ASCII	7	6	X	5	4	3	2	1

BIT NUMBERING

Bit Positions → 76

→ X5

→ 4321

	00				01				10				11			
	00	01	10	11	00	01	10	11	00	01	10	11	00	01	10	11
0000	NULL	DC ₀			blank	0			@	P						P
0001	SOM	DC ₁			!	1				A	Q				a	q
0010	EOA	DC ₂			"	2				B	R				b	r
0011	EOM	DC ₃			#	3				C	S				c	s
0100	EOT	DC ₄ Stop			\$	4				D	T				d	t
0101	WRU	ERR			%	5				E	U				e	u
0110	RU	SYNC			&	6				F	V				f	v
0111	BELL	LEM			'	7				G	W				g	w
1000	BKSP	S ₀			(8				H	X				h	x
1001	HT	S ₁)	9				I	Y				i	y
1010	LF	S ₂			*	:				J	Z				j	z
1011	VT	S ₃			+	;				K	⌈				k	
1100	FF	S ₄			,	<				L	⌋				l	
1101	CR	S ₅			-	=				M	⌋				m	
1110	SO	S ₆			.	>				N	↑				n	ESC
1111	SI	S ₇			/	?				O	←				o	DEL

AMERICAN STANDARD CODE FOR INFORMATION INTERCHANGE (ASCII)

Figure 7. EBCDIC and ASCII Tables

- Any coding can be used on character-sensitive I/O units, since a translate instruction is provided which converts from any code into any other.

All information transfers to and from I/O devices are in units of one byte. Character-sensitive I/O units (printers, typewriters, card readers and punches) utilize a code in which one character (card column) is represented by one byte. The total number of characters possible is 256. Two standard sets for character coding are used: EBCDIC – Extended Binary Coded

Decimal Interchange Code and ASCII – American Standard Code for Information Interchange (Figure 7). Bit numbering is different for the two codes. Corresponding bits are:

EBCDIC: 0 1 2 3 4 5 6 7 (the standard bit numbering within one byte)

ASCII: 7 6 5 4 3 2 1

Bits 0-3 are referred to as zone bits, (ASCII: 7-5)

Bits 4-7 are referred to as digit bits, (ASCII: 4-1)

An extended card code provides punching of any byte value into one column (Figure 8).

4567	01				01				10				11			
	00	01	10	11	00	01	10	11	00	01	10	11	00	01	10	11
0000	T09 18	TE9 18	E09 18	TE09 18		T	E	TE0	T0 18	TE 18	E0 18	TE0 18	T0	E0	0	0
0001	T9 1	E9 1	09 1	9 1	T09 1	TE9 1	0 1	TE09 1	T0 1	TE 1	E0 1	TE0 1	T	E	E09	1
0010	T9 2	E9 2	09 2	9 2	T09 2	TE9 2	E09 2	TE09 2	T0 2	TE 2	E0 2	TE0 2	T	E	0	2
0011	T9 3	E9 3	09 3	9 3	T09 3	TE9 3	E09 3	TE09 3	T0 3	TE 3	E0 3	TE0 3	T	E	0	3
0100	T9 4	E9 4	09 4	9 4	T09 4	TE9 4	E09 4	TE09 4	T0 4	TE 4	E0 4	TE0 4	T	E	0	4
0101	T9 5	E9 5	09 5	9 5	T09 5	TE9 5	E09 5	TE09 5	T0 5	TE 5	E0 5	TE0 5	T	E	0	5
0110	T9 6	E9 6	09 6	9 6	T09 6	TE9 6	E09 6	TE09 6	T0 6	TE 6	E0 6	TE0 6	T	E	0	6
0111	T9 7	E9 7	09 7	9 7	T09 7	TE9 7	E09 7	TE09 7	T0 7	TE 7	E0 7	TE0 7	T	E	0	7
1000	T9 8	E9 8	09 8	9 8	T09 8	TE9 8	E09 8	TE09 8	T0 8	TE 8	E0 8	TE0 8	T	E	0	8
1001	T9 18	E9 18	09 18	9 18	T	E	0	18	T0 9	TE 9	E0 9	TE0 9	T	E	0	9
1010	T9 28	E9 28	09 28	9 28	T	E	TE	28	T0 28	TE 28	E0 28	TE0 28	T09	TE9	E09	TE09
1011	T9 38	E9 38	09 38	9 38	T	E	0	38	T0 38	TE 38	E0 38	TE0 38	T09	TE9	E09	TE09
1100	T9 48	E9 48	09 48	9 48	T	E	0	48	T0 48	TE 48	E0 48	TE0 48	T09	TE9	E09	TE09
1101	T9 58	E9 58	09 58	9 58	T	E	0	58	T0 58	TE 58	E0 58	TE0 58	T09	TE9	E09	TE09
1110	T9 68	E9 68	09 68	9 68	T	E	0	68	T0 68	TE 68	E0 68	TE0 68	T09	TE9	E09	TE09
1111	T9 78	E9 78	09 78	9 78	T	E	0	78	T0 78	TE 78	E0 78	TE0 78	T09	TE9	E09	TE09

T = 12 Punch E = 11 Punch 0 = Zero Punch

Figure 8. Extended Card Code

Decimal numbers coded in either EBCDIC or ASCII are referred to as zoned decimal format. Zoned decimal numbers are treated as signed integers with a variable field length. The sign is carried in the zone bits of the least-significant digit (Figure 9).

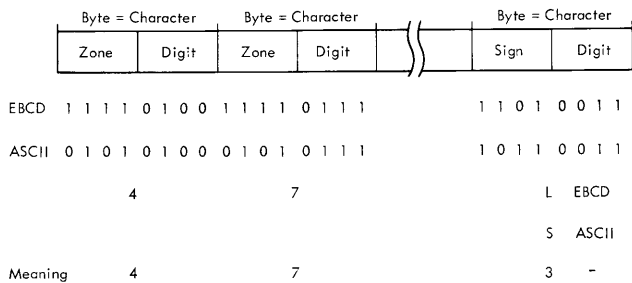


Figure 9. Zoned Decimal Format

The zoned decimal format cannot be used for arithmetic operations. Instructions are provided for packing or unpacking decimal numbers so that they may be translated from the zoned to the packed format (which provides decimal arithmetic) and vice versa. Interpretation and generation of zone bits depends on the character set preferred and is program controlled (bit 12 of the PSW).

I/O units that are not character-sensitive (magnetic tape units, disk files, etc.) can handle any coding format. On these devices, the information is stored in 8-bit bytes as in the CPU.

Examples: Magnetic tape units use a nine-track R/W head (8 bits plus parity), recording one byte in parallel. On disk files, the bits within the byte are recorded in series but there is no code change.

Any other character codes of character-sensitive I/O devices can be handled by means of a translate instruction. With this instruction, it is possible to convert variable-length fields from any code into any other.

Other Data Codes

- Any information that is not in a format used for arithmetic operations is called logical information.
- Logical information can be in any code.
- Instructions are provided to handle logical information.

Information that is not in a format that can be handled with the normal arithmetic operations (binary fixed-point or floating-point and packed decimal) is referred to as logical information.

Character-sensitive I/O codes or any other coding format are logical information. For the system, logical information is binary data without any special format.

A full set of instructions is provided for handling logical information. Included are logical arithmetic instructions which do not recognize any special sign bits.

Binary Fixed-Point Arithmetic

- Operands are signed binary integers, recorded in halfwords or words.
- Negative numbers are always in two's complement form.
- Operands are held in general registers or in main storage.
- Fixed-point arithmetic uses the add-to-accumulator principle.
- Halfword numbers loaded into general registers are expanded to a full word.

A fixed-point number is a signed value, recorded as a binary integer. It is called fixed-point, because the programmer determines the fixed position of the binary point.

Fixed-point numbers may be recorded in halfword (16 bit) or fullword (32 bit) length. In both lengths, the first bit position (bit 0) holds the sign of the number.

Negative numbers are always carried in two's complement form.

Fixed-point operands are held in general registers or in main storage. Results of arithmetic operations are always developed in general registers. For binary arithmetic the general registers can be assumed to be accumulators. This type of operation is known as add-to-accumulator.

Halfword numbers loaded into general registers are expanded to a full word. The sign is propagated throughout the high-order 16 bit positions.

Add and Subtract

- Rules for addition:
 1. Zero plus zero equals zero.
 2. Zero plus one equals one.
 3. One plus one equals zero with a carry to the next higher order bit position.
- For subtract, the two's complement of the second operand is added.
- Carries out of bit 0 are lost.
- Overflow has occurred if the carries out of bit 0 and bit 1 are not equal.

Examples with eight-bit numbers (range from +127 to -128) follow.

Bit number		0 1 2 3 4 5 6 7	Sign in position zero; significant digits in positions 1-7
+ 22	=	0 0 0 1 0 1 1 0	
+(+92)	=	0 1 0 1 1 1 0 0	
		0 0 0 1 1 1 0 0 - carries	
+114	=	0 1 1 1 0 0 1 0	No overflow, carries out of bit 0 and bit 1 are equal (both 0)
+114	=	0 1 1 1 0 0 1 0	
-(+92)	=	1 0 1 0 0 1 0 0	two's complement of +92
		1 1 1 0 0 0 0 0 - carries	
+ 22	=	0 0 0 1 0 1 1 0	No overflow, carries out of bit 0 and bit 1 are equal (both 1, carry out of bit 0 is lost)
- 22	=	1 1 1 0 1 0 1 0	
+(-92)	=	1 0 1 0 0 1 0 0	
		1 1 1 0 0 0 0 0 - carries	
-114	=	1 0 0 0 1 1 1 0	No overflow, carries out of bit 0 and bit 1 are equal (both 1, carry out of bit 0 is lost)
- 22	=	1 1 1 0 1 0 1 0	
-(-92)	=	0 1 0 1 1 1 0 0	two's complement of -92 (= +92)
		1 1 1 1 1 0 0 0 - carries	
+ 70	=	0 1 0 0 0 1 1 0	No overflow, carries out of bit 0 and bit 1 are equal (both 1, carry out of bit 0 is lost)
+114	=	0 1 1 1 0 0 1 0	Sign change
+(+22)	=	0 0 0 1 0 1 1 0	
		0 1 1 1 0 1 1 0 - carries	
+136	≠	1 0 0 0 1 0 0 0	<i>overflow</i> , carries out of bit 0 and bit 1 are unequal, result is not correct.
-114	=	1 0 0 0 1 1 1 0	
-(+22)	=	1 1 1 0 1 0 1 0	two's complement of +22
		1 0 0 0 1 1 1 0 - carries	
-136	≠	0 1 1 1 1 0 0 0	<i>overflow</i> , carries out of bit 0 and bit 1 are unequal, result is not correct.

Multiply

Multiplications of two fullword numbers results in a double word held in two consecutive general registers. The sign of the product is determined by the rules of algebra.

Divide

The dividend is a double word number held in two consecutive general registers. The divisor is a fullword number; the resulting quotient is a fullword number. The sign of the quotient is determined by the rules of algebra; the remainder has the sign of the dividend.

Floating-Point Arithmetic

- Needed for large numbers used in scientific fields.
- A floating-point number is expressed as a fraction multiplied by a power of 10.
- A floating-point number is normalized if the decimal point of the fraction is immediately to the left of the highest-order significant digit.
- Rules for Add and Subtract:
 1. The number with the smaller exponent is shifted to the right until the exponents are equal.
 2. The fractions are added (or subtracted); the exponent remains unchanged.
 3. If necessary, the result is normalized.

• Rules for Multiply:

1. The fractions are multiplied.
2. The exponents are added.
3. If necessary, the result is normalized.

• Rules for Divide:

1. The fractions are divided.
2. The divisor exponent is subtracted from the dividend exponent.
3. If necessary the result is normalized.

Very large and very small numbers are often encountered in scientific calculations. The electron, for example, has a charge of 0.000000000048cgs (centimeter gram seconds): one light year (the distance that light travels in one year) is about 6,000,000,000,000 miles. It is conceivable that such numbers may be 50 digits in length.

The problem, when a computer is used to process such numbers unaltered, is that fixed-point registers should have 100 decimal digit positions (more than 300 bits) to allow for calculations involving large and small numbers. Such a computer would be expensive to build and its calculating speed would be slow. It should also be observed that most register positions would contain only zeros (spacer zeros) to define the magnitude of a few significant digits.

It is possible, however, to handle these numbers with the register size normally available. The programmer would have to process the significant digits, and, in a

separate sequence, would have to establish the position of the decimal point which often (at the time of programming) is not easily predictable.

Thus, the need for a shorthand notation and a simplified arithmetic (floating-point) becomes apparent for those areas where the magnitude of numbers covers a wide range.

The key to floating-point data representation is the separation of the significant digits of a number from the size (magnitude) of the number. Thus, the number is expressed as a fraction multiplied by a power of 10.

Exponential Numbers

1. In the decimal system, 0.00000000048 actually means:

$$(0 \times 10^0) + (0 \times 10^{-1}) + \dots + (4 \times 10^{-10}) + (8 \times 10^{-11})$$

All terms except the last two are zero; the number can be written as:

$$(4 \times 10^{-10}) + (8 \times 10^{-11})$$

In order to simplify this expression, the second term is transformed into a number with the same power-of-ten factor as in the first.

$$(4 \times 10^{-10}) + (.8 \times 10^{-10})$$

$$(4.8) \times 10^{-10}$$

$$4.8 \times 10^{-10}$$

$$.48 \times 10^{-9} \quad (\text{normalized})$$

2. In the decimal system, 6,000,000,000,000 actually means:

$$(6 \times 10^{12}) + (0 \times 10^{11}) + \dots + (0 \times 10^0)$$

$$6 \times 10^{12}$$

$$.6 \times 10^{13}$$

Whenever the decimal point is moved one position to the left, the power-of-ten (exponent) is increased by one.

Whenever the decimal point is moved one position to the right the exponent is decreased by one.

A floating-point number is normalized, if, in the fraction, no spacer zeros are carried. The decimal point is immediately to the left of the highest-order significant digit.

Rules for Add and Subtract

1. The number with the smaller exponent is shifted to the right until the exponents are equal.
2. The fractions are added (or subtracted), the exponent remains unchanged.
3. If necessary the result is normalized.

Example:

$$21,700,000 + 800 = (.217 \times 10^8) + (.8 \times 10^3)$$

$$= .217 \quad \times 10^8$$

$$+ .000008 \quad \times 10^8$$

$$\underline{\underline{.217008 \quad \times 10^8}}$$

Shift right until exponents are equal.

Rules for Multiply

1. The fractions are multiplied.

2. The exponents are added.
3. If necessary the result is normalized.

Example:

$$2500 \times 0.000000033 = (.25 \times 10^4) \times (.33 \times 10^{-7})$$

$$\text{Multiply fractions: } .25 \times .33 = .0825$$

$$\text{Add exponents: } (+4) + (-7) = -3$$

$$\text{Result: } .0825 \times 10^{-3}$$

$$\text{Normalized: } \underline{\underline{.825 \times 10^{-4}}}$$

Rules for Divide

1. The fractions are divided.
2. The divisor exponent is subtracted from the dividend exponent.
3. If necessary the result is normalized.

Example:

$$0.000222 + 0.00004 = (.222 \times 10^{-3}) + (.4 \times 10^{-4})$$

$$\text{Divide fractions: } .222 \div .4 = .555$$

$$\text{Subtract exponents: } (-3) - (-4) = +1$$

$$\text{Result: } \underline{\underline{.555 \times 10}}$$

Floating-Point Notation

Format

- Floating-point numbers are recorded in the hexadecimal number system.
- The significant digits are recorded as hexadecimal fractions.
- The exponent (called the characteristic) is a seven-bit binary number to which the base 16 is raised.
- The characteristic can be a number from 0 to 127.
- Floating-point numbers are recorded in a fixed-length format:
 - short precision in single words
 - double precision in double words
- Bit 0 in either format denotes the sign of the fraction.
- Negative fractions are always carried in true form.

Floating-point numbers are recorded in the hexadecimal number system.

Example: The hexadecimal number 1C.A actually means:

$$(1 \times 16^1) + (C \times 16^0) + (A \times 16^{-1})$$

To express this number in the floating-point format, the exponents have to be equal and the significant digits are expressed as a fraction:

$$(.1 \times 16^2) + (.0C \times 16^2) + (.00A \times 16^2)$$

$$.1CA \times 16^2$$

In order to store such a number in the machine, two values have to be recorded:

1. The fraction (.1CA).
2. The power to which 16 has to be raised (+2).

The base is always 16; as this fact is implicit in the operations the number is not recorded.

The general format in which the two numbers are stored is a fixed-length format of either a single or a double word:

Sign bit Seven-bit 24- or 56-bit
of fraction characteristic fraction

Since each of the two numbers is signed, some method must be employed to express two signs. This is accomplished by making the fraction sign use the sign associated with the word (or double word) and expressing the exponent in excess -64 arithmetic. The signed number of the exponent is always increased by 64.

The exponent is expressed as a seven-bit binary number, giving a range for the exponent from 0 to 127. With excess -64 arithmetic, valid exponents are from -64 to +63. As this number is no longer a true exponent, it is referred to in common practice as a characteristic.

Examples:

Characteristic	0000000	stands for	16^{-64}
Characteristic	0111111	stands for	16^{-1}
Characteristic	1000000	stands for	16^0
Characteristic	1000001	stands for	16^{+1}
Characteristic	1111111	stands for	16^{+63}

The range of decimal numbers which can be expressed in floating-point notation is therefore 16^{-64} to 16^{+63} which is approximately 10^{-78} to 10^{+75} . The first is a very small number with 78 spacer zeros after the decimal point; the second is a very big number with 75 digits. This is the absolute value of the number, since the number itself can be positive or negative (indicated by the sign bit in position 0; zero indicates positive fraction, 1 indicates negative).

The fraction is always carried in true form (not complement). The two available formats (Figure 10) for floating-point numbers are called:

1. Single precision - the number is recorded in a single word, also referred to as short format.
2. Double precision - the number is recorded in a double word, also referred to as long format.

Precision

The precision of any value can be expressed by the number of significant digits it contains.

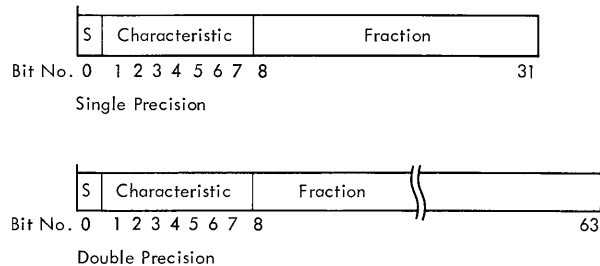


Figure 10. Floating-Point Format

The statement that the distance covered by light in one year is $.6 \times 10^{13}$ miles is not very precise (only one significant digit). Exact measurements could possibly give this figure as $.56322 \times 10^{13}$ miles or $.6209 \times 10^{13}$ miles, or even a number with more significant digits.

The number of significant digits a computer can handle defines its precision.

Example: The ordinary slide rule can be regarded as a calculating device operating in a floating-point format. The significant digits are handled with the device; the exponents, however, have to be calculated by the user.

A 10-inch slide rule has an average precision of about 3 significant digits. This means that operands cannot have more than 3 significant digits and the results obtained are accurate only to about 3 significant digits:

.176 times .294 calculated with a slide rule is about $.517 \times 10^{-1}$.
The accurate result would be $.51744 \times 10^{-1}$.

The floating-point format has a precision of either 24 or 56 binary bits (the bits available to store the fraction in either short or long form). These precisions are equal to 7 or 16 decimal significant digits, respectively.

The precision of short floating-point arithmetic can be compared with the precision of a hypothetical slide rule with a length of about 4 yards. Long floating-point arithmetic would require a slide rule with a length of about 2600 yards.

Conversion Example: To convert -149.375 into a short floating-point number:

1. Convert to hexadecimal; easiest way of doing this is by first converting to binary (use Figure 7).

$2^7 \ 2^6 \ 2^5 \ 2^4 \ 2^3 \ 2^2 \ 2^1 \ 2^0 \ 2^{-1} \ 2^{-2} \ 2^{-3} \ 2^{-4}$
 -149.375 dec 1 0 0 1 0 1 0 1 0 1 1 0
 in hex 9 5 6

2. Express as fraction times a power of 16.
 $.956 \times 16^2$
3. Calculate characteristic and convert to binary.

$2^6 \ 2^5 \ 2^4 \ 2^3 \ 2^2 \ 2^1 \ 2^0$
Exponent + 64 = 2 + 64 = 66 = 1 0 0 0 0 1 0

4. Arrange according to the format, insert the sign:

S CHARACTERISTIC	FRACTION
1 100010	1001 0101 0110 0000 0000 0000

Arithmetic

- The arithmetic rules for floating-point numbers are the same as for decimal floating-point.
- Several floating-point instructions are provided.
- Floating-point arithmetic uses the add-to-accumulator principle.
- 4 floating-point registers (double words) are available.
- Data exceptions are checked.

Arithmetic operations are executed by the computer as explained for decimal floating-point numbers.

To handle floating-point numbers, various instructions are provided.

Floating-point arithmetic uses the add-to-accumulator principle; the accumulators in this case are the 4 double word floating-point registers. It is implied in floating-point operations that these registers are used (and not general registers).

The instructions available include the following types:

Add	Compare
Subtract	Load floating-point register
Multiply	Store floating-point register
Divide	

All instructions are provided for the short and long format. The results are automatically normalized except for the special operations: add unnormalized and subtract unnormalized.

During execution of the operation, several unusual conditions can be detected and indicated to the program:

Exponent Overflow: The result characteristic in addition, subtraction, multiplication, or division exceeds 127, and the result fraction is not zero. The operation is completed, and a program interrupt occurs. The fraction is normalized, and the sign and fraction of the result remain correct. The result characteristic is made 128 smaller than the correct characteristic. For addition and subtraction, the condition code is set to 1 when the result is less than zero, and the condition code is set to 2 when the result is greater than zero. For multiplication and division, the condition code remains unchanged.

Exponent Underflow: The result characteristic in addition, subtraction, multiplication, halving, or division is less than zero and the result fraction is not zero. The operation is completed, and a program interrupt occurs if the exponent-underflow mask bit (psw bit 38) is 1.

The setting of the mask bit also affects the result of the operation. When the mask bit is 0, the sign, characteristic, and fraction are set to zero, thus making the result a true zero. When the mask bit is 1, the fraction is normalized, the characteristic is made 128 larger than the correct characteristic, and the sign and fraction remain unchanged.

Significance Exception: The resulting fraction of add or subtract operations is zero.

Divide Exception: Division by a number with a zero fraction is attempted. The operation is suppressed. There are no instructions to translate floating-point numbers to and from other number systems. Conver-

sion has to be programmed; conversion routines are included in the assembly programs.

Decimal Arithmetic

- Packed decimal is used in decimal arithmetic.
- The storage-to-storage principle is used.
- Negative numbers are carried in true form with the corresponding sign.
- Multiply and divide are performed as a sequence of add or subtract operations.
- Decimal arithmetic is performed in a binary adder; the numbers have to be modified accordingly.

The number format used in decimal arithmetic is the packed decimal format. Instructions available include:

Zero and Add
Add
Subtract
Multiply
Divide
Compare

Decimal arithmetic uses the storage-to-storage principle. Both operands are held in main storage and have a variable field length. The result is stored back into main storage and replaces the first operand.

Negative numbers are always carried in true form with the corresponding sign in the lowest-order 4 bits.

Prior to instruction execution, the operand signs are analyzed to determine whether a true or complement add operation has to take place.

Multiply and divide are performed as a sequence of add or subtract operations.

Decimal arithmetic is performed in a binary adder; the decimal numbers have to be modified accordingly.

Rules for True Decimal Add

1. A correction 6 is always added to each digit of the first operand.
2. Binary add the second operand.
3. If the high-order bit position of a packed decimal digit (bit value 8) generates a carry, the result is correct.
4. If this bit position does not generate a carry, the result has to be decreased by 6 (add two's complement of 6 which is 1010). Ignore the decimal carry that may occur.

Example:

$$\begin{array}{r} 38 \\ + 47 \\ \hline 85 \end{array}$$

binary add 6 to first operand digits

add second operand

add 1010 to decimal digits without carry

ignore digit carries
decimal result

Bit	0	1	2	3	4	5	6	7
	0	0	1	1	1	0	0	0
	0	1	0	0	0	1	1	1
				0	0	1	1	0
				0	1	0	1	1
				1	0	0	1	1
				0	1	0	0	1
NC				C				
				1	1	1	0	1
				1	0	1	0	0
				1	0	1	0	0
				C				
				1	0	0	0	1
				8	5			

Rules for Complement Add

1. No corrections of 6 to first operand.
2. Add two's complement of second operand.
3. If the high-order bit position of the packed decimal digit (bit value 8) generates a carry, the result is correct.
4. If this bit position does not generate a carry, the result has to be decreased by 6 (add two's complement of 6 which is 1010).

5. If a sign change occurs, the result has to be re-complemented (subtract result from zero).

Example:

$$\begin{array}{r} 47 = \\ - 75 = \\ \hline -28 \end{array}$$

Add two's complement of second operand

Add 1010 to digits without carry

Carry out indicates sign change!

Recomplement: (complement add to 0 and change sign)

Add 1010 to digits without carry

Ignore digit carries
decimal result

Bit	0	1	2	3	4	5	6	7
	0	1	0	0	1	1	1	1
	0	1	1	1	0	1	0	1
				0	1	0	1	1
				1	0	0	1	1
				1	0	0	1	1
				C				
				1	1	0	1	0
				0	0	0	0	0
				1	0	0	1	1
				1	0	0	0	0
NC				C				
				1	1	0	1	0
				1	0	1	0	0
				C				
				0	1	1	0	1
				0	0	0	0	0
				1	0	0	1	1
				1	0	1	0	1
				C				
				0	0	1	0	0
				-2	8			

System Controls

Instructions

- Instructions can be one, two, or three halfwords.
- Instructions must be located on integral halfword boundaries.

The length of a machine instruction can be one, two, or three halfwords. It is related to the number of storage addresses necessary for performing the operation.

An instruction consisting of only one halfword cannot cause any reference to main storage. An instruction that is two halfwords long provides one storage address and a three-halfword instruction provides two storage addresses. All instructions must be located in storage on integral halfword boundaries. An integral halfword boundary is any 24-bit address whose low-order bit is 0.

Instruction Format

- The first byte of an instruction contains the operation code (op code).
- Up to 256 op codes possible.
- The five instruction formats are RR, RX, RS, SI and SS.

The first halfword of an instruction (Figure 11) consists of two parts. In the first part, bits 0-7 are the op code. Provision is made for up to 256 op codes by using the eight-bit binary format.

The second part of the first halfword, bits 8-15, may be used as a register specification, a mask, an operand length specification, a byte of immediate data, or it may be ignored. Immediate data are held in the instruction format and used as one of the operands.

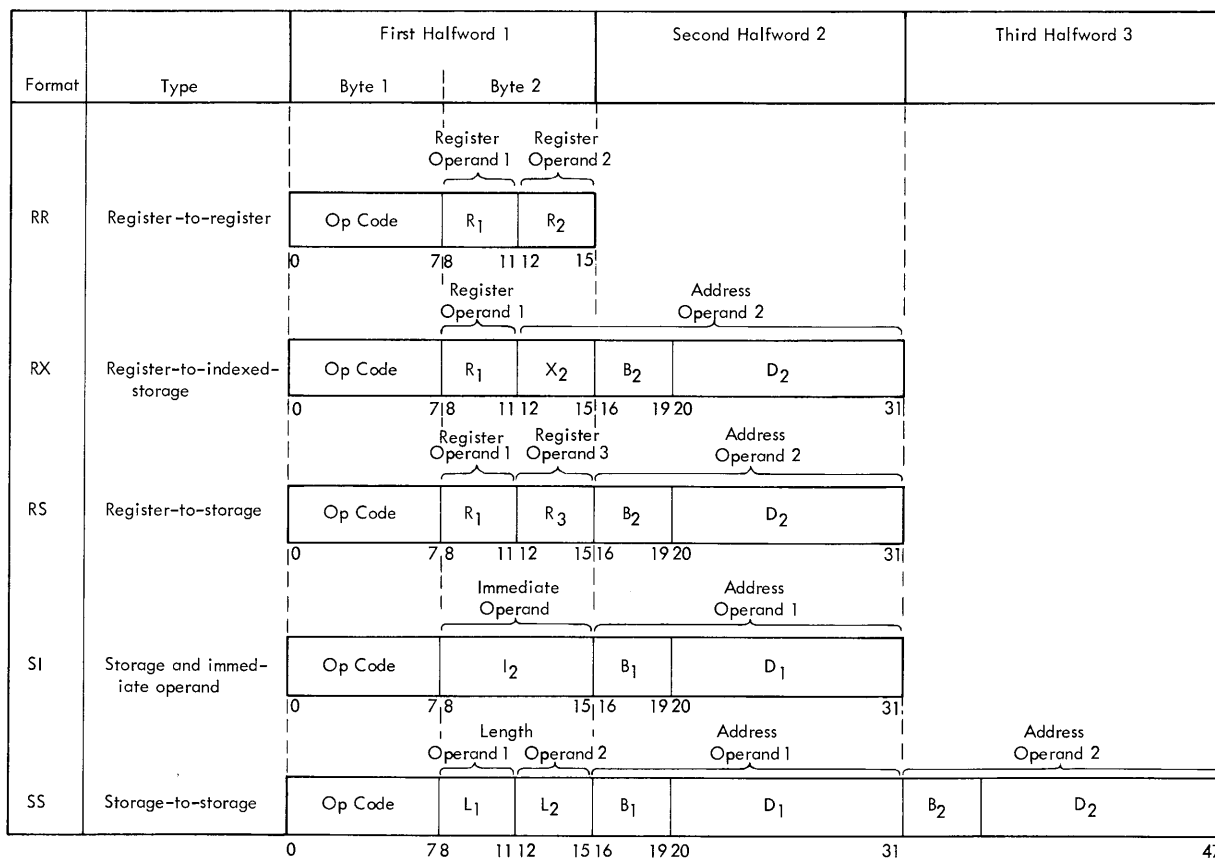


Figure 11. Five Basic Instruction Formats

The second and third halfwords, when present in the instruction, always have the same format. This format is a four-bit base address register (B), followed by a twelve-bit displacement address (D).

For purposes of describing the execution of instructions, operands are designated as first, second, and third operands. These names refer to the manner in which the operands participate. The operand to which a field in an instruction format applies is generally denoted by the number following the code name of the field, for example, R₁, B₁, L₂, D₂.

The length and format of an instruction are specified by the first two bits of the op code.

BIT POSITIONS (0-1)	INSTRUCTION LENGTH CODE	
	INSTRUCTION LENGTH	INSTRUCTION FORMAT
00	One halfword	RR
01	Two halfwords	RX
10	Two halfwords	RS or SI
11	Three halfwords	SS

Bits 8-15 of the instruction are used either as two four-bit fields or as a single eight-bit field. This byte can contain the following information:

- Four-bit operand register specification (R₁, R₂, or R₃)
- Four-bit index register specification (X₂)
- Four-bit mask (M₁)
- Four-bit operand length specification (L₁ or L₂)
- Eight-bit operand length specification (L)
- Eight-bit byte of immediate data (I₂)

In some instructions, a four-bit field (the whole second byte of the first halfword) is ignored.

The second and third halfwords always have the same format: four-bit base register designation (B₁ or B₂) followed by a twelve-bit displacement (D₁ or D₂).

Address Generation

- Base address is a 24-bit number contained in the general register specified by the instruction B-field.
- Index address is a 24-bit number contained in the general register specified by the instruction X-field.
- Displacement address is a 12-bit number contained in the instruction D-field.
- An actual main storage address is formed by adding the contents of B to the contents of X plus D.
- Main storage addresses referring to fixed-length information must observe the boundary specifications.

For addressing purposes, operands can be grouped in three classes: (1) explicitly addressed operands in main storage, (2) immediate operands placed as part of the instruction stream in main storage, and (3) operands located in the general or floating-point register.

To permit the ready relocation of program segments and to provide for flexible specifications of input, out-

put, and working areas, all instructions referring to main storage have been given the capacity of employing a full address of 24 bits, regardless of the actual storage size of the individual system.

The address used to refer to main storage is generated from three binary numbers: the base address (B), the index (X), and the displacement (D).

Base Address (B)

The base address (B) is a 24-bit number contained in a general register specified by the program in the B-field of the instruction. The B-field is included in every MS address specification. The base address can be used as a means of static relocation of programs and data.

In array-type calculations, the base address can specify the location of an array and, in record-type processing, it can identify the record. The base address provides for addressing the entire main storage. The base address may also be used for indexing purposes.

Index (X)

The index (X) is a 24-bit number contained in a general register specified by the program in the X-field of the instruction. It is included only in the address specified by the RX instruction format. The index can be used to provide the address of an element within an array. Thus, the RX format instructions permit double indexing.

Displacement (D)

The displacement (D) is a 12-bit number contained in the instruction format. It is included in every instruction that addresses main storage. The displacement provides for relative addressing up to 4095 bytes beyond the element or base address.

In array-type calculations, the displacement may be used to specify one of the many items associated with an element. In the processing of records, the displacement can be used to identify items within a record.

In forming the actual MS address, the base address and index are treated as unsigned 24-bit positive binary integers. The displacement is similarly treated as a 12-bit positive binary integer. The three are added as 24-bit binary numbers, ignoring overflow. Since every address includes a base, the sum is always 24 bits long. The general register bits used for addressing are bits 8-31. Bits 0-7 are ignored.

The program may have zeros in the base address, index, or displacement fields. A zero is used to indicate the absence of the corresponding address components. A base or index of zero implies that a zero quantity is to be used in forming the address regardless of the contents of general register 0. A displacement of zero has no special significance.

Initialization, modification, and testing of base addresses and indices can be carried out by fixed-point instructions: branch and link, branch on count, or branch on index.

MS addresses referring to fixed-length data formats must specify the proper address boundaries. If the boundary specifications are not met, a program check occurs.

Instruction Types

- Only a basic set of instructions is provided as standard equipment; additional instruction sets are optional.
- Instruction types provided are:
 - Data handling instructions
 - Branch instructions
 - I/O instructions
 - System control instructions.
- Data handling instructions are available for:
 - Fixed-point data
 - Floating-point data
 - Decimal data
 - Logical information.

The instructions available are listed in Figure 12. For detailed explanation of instructions, refer to *IBM System/360 Principles of Operation*, Order No. GA22-6821.

Only a basic set of these instructions is provided with the standard machine; additional instruction sets are optional. The terminology used for various instruction sets is as follows:

1. Standard instruction set.
2. Commercial instruction set — standard instruction set plus decimal feature instructions.
3. Scientific instruction set — standard instruction set plus floating-point feature instructions.
4. Universal instruction set — includes all instructions (Figure 12) except the two direct control instructions (marked Y). Four types of instructions can be distinguished:
 - a. Data-handling instructions — perform arithmetic or logical operations with the data specified by the operands (actual data-processing functions within the system).
 - b. Branch instructions — allow change in sequence of program instructions.
 - c. Input/output instructions—control I/O devices and data transfers between CPU and I/O equipment.
 - d. System control instructions — control the over-all system status.

Data-Handling Instructions

- Arithmetic and logical instructions are provided.
- Depending on the data format processed, the instructions are called:
 - Fixed-point instructions
 - Floating-point instructions
 - Decimal instructions
 - Logical instructions

The arithmetic instructions are provided for all data formats and with various specifications of their operands (operands in general registers or main storage).

Fixed-point instructions handle fixed-point data (signed binary integers); floating-point instructions handle floating-point data. Decimal instructions handle packed decimal data. Logical instructions handle any type of data but without special treatment of the positions used for sign representation of some formats.

Instructions performing other than arithmetic operations are called logical instructions. A set of instructions which performs logical operations on the operands and instructions that are used for data-handling (and format) belongs to this group.

Arithmetic

Add: 15 add instructions are provided:

Fixed-point instructions:

- AR — RR format, fullwords
- A — RX format, fullwords
- AH — RX format, halfwords

Floating-point instructions:

- ADR — RR format, normalized long
- AD — RX format, normalized long
- AER — RR format, normalized short
- AE — RX format, normalized short
- AWR — RR format, unnormalized long
- AW — RX format, unnormalized long
- AUR — RR format, unnormalized short
- AU — RX format, unnormalized short

Decimal instructions:

- AP — SS format, variable length
- ZAP — SS format, variable length

Logical instructions:

- ALR — RR format, binary add without special handling of sign
- AL — RX format

In all formats, the second operand is added to the first operand; the result replaces the first operand.

A similar range of instructions is provided for other arithmetic operations.

Subtract: The second operand is subtracted from the first operand; the result replaces the first operand.

Multiply: The product of the multiplier (second operand) and the multiplicand (first operand) replaces the multiplicand.

In fixed-point arithmetic, the result contains 64 bits. R1 must specify an even-numbered general register;

NAME	MNEMONIC	TYPE	EXCEPTIONS	CODE	NAME	MNEMONIC	TYPE	EXCEPTIONS	CODE
Add	AR	RR C	IF	1A	Halt I/O	HIO	SI CM		9E
Add	A	RX C	A,S, IF	5A	Halve (Long)	HDR	RR F	S,U	24
Add Decimal	AP	SS T,C	P,A, D, DF	FA	Halve (Short)	HER	RR F	S,U	34
Add Halfword	AH	RX C	A,S, IF	4A	Insert Character	IC	RX	A	43
Add Logical	ALR	RR C		1E	Insert Storage Key	ISK	RR Z M, A,S		09
Add Logical	AL	RX C	A,S,	5E	Load	LR	RR		18
Add Normalized (Long)	ADR	RR F,C	S,U,E,LS	2A	Load	L	RX	A,S	58
Add Normalized (Long)	AD	RX F,C	A,S,U,E,LS	6A	Load Address	LA	RX		41
Add Normalized (Short)	AER	RR F,C	S,U,E,LS	3A	Load and Test	LTR	RR C		12
Add Normalized (Short)	AE	RX F,C	A,S,U,E,LS	7A	Load and Test (Long)	LTDR	RR F,C	S	22
Add Unnormalized (Long)	AWR	RR F,C	S, E,LS	2E	Load and Test (Short)	LTER	RR F,C	S	32
Add Unnormalized (Long)	AW	RX F,C	A,S, E,LS	6E	Load Complement	LCR	RR C	IF	13
Add Unnormalized (Short)	AUR	RR F,C	S, E,LS	3E	Load Complement (Long)	LCDR	RR F,C	S	23
Add Unnormalized (Short)	AU	RX F,C	A,S, E,LS	7E	Load Complement (Short)	LCER	RR F,C	S	33
AND	NR	RR C		14	Load Halfword	LH	RX	A,S	48
AND	N	RX C	A,S	54	Load (Long)	LDR	RR F	S	28
AND	NI	SI C	P,A	94	Load (Long)	LD	RX F	A,S	68
AND	NC	SS C	P,A	D4	Load Multiple	LM	RS	A,S	98
Branch and Link	BALR	RR		05	Load Negative	LNR	RR C		11
Branch and Link Branch on Condition	BAL	RX		45	Load Negative (Long)	LNDR	RR F,C	S	21
Branch on Condition	BCR	RR		07	Load Negative (Short)	LNER	RR F,C	S	31
Branch on Count	BC	RX		47	Load Positive	LPR	RR C	IF	10
Branch on Count	BCTR	RR		08	Load Positive (Long)	LPDR	RR F,C	S	20
Branch on Count High	BCT	RX		46	Load Positive (Short)	LPER	RR F,C	S	30
Branch on Index Low or Equal	BXH	RS		86	Load PSW	LPSW	SI L M, A,S		82
Compare	CR	RR C		19	Load (Short)	LER	RR F	S	38
Compare	C	RX C	A,S	59	Load (Short)	LE	RX F	A,S	78
Compare Decimal	CP	SS T,C	A, D	F9	Move	MVI	SI	P,A	92
Compare Halfword	CH	RX C	A,S	49	Move	MVC	SS	P,A	D2
Compare Logical	CLR	RR C		15	Move Numerics	MVN	SS	P,A	D1
Compare Logical	CL	RX C	A,S	55	Move with Offset	MVO	SS	P,A	F1
Compare Logical	CLI	SI C	A	95	Move Zones	MVZ	SS	P,A	D3
Compare Logical	CLC	SS C	A	D5	Multiply	MR	RR	S	1C
Compare (Long)	CDR	RR F,C	S	29	Multiply	M	RX	A,S	5C
Compare (Long)	CD	RX F,C	A,S	69	Multiply Decimal	MP	SS T	P,A,S,D	FC
Compare (Short)	CER	RR F,C	S	39	Multiply Halfword	MH	RX	A,S	4C
Compare (Short)	CE	RX F,C	A,S	79	Multiply (Long)	MDR	RR F	S,U,E	2C
Convert to Binary	CVB	RX	A,S,D, IK	4F	Multiply (Long)	MD	RX F	A,S,U,E	6C
Convert to Decimal	CVD	RX	P,A,S	4E	Multiply (Short)	MER	RR F	S,U,E	3C
Diagnose		SI	M, A,S	83	Multiply (Short)	ME	RX F	A,S,U,E	7C
Divide	DR	RR	S, IK	1D	OR	OR	RR C		16
Divide	D	RX	A,S, IK	5D	OR	O	RX C	A,S	56
Divide Decimal	DP	SS T	P,A,S,D, DK	FD	OR	OI	SI C	P,A	96
Divide (Long)	DDR	RR F	S,U,E,FK	2D	OR	OC	SS C	P,A	D6
Divide (Long)	DD	RX F	A,S,U,E,FK	6D	Pack	PACK	SS	P,A	F2
Divide (Short)	DER	RR F	S,U,E,FK	3D	Read Direct	RDD	SI Y M,P,A		85
Divide (Short)	DE	RX F	A,S,U,E,FK	7D	Set Program Mask	SPM	RR L		04
Edit	ED	SS T,C	P,A, D,	DE	Set Storage Key	SSK	RR Z M, A,S		08
Edit and Mark	EDMK	SS T,C	P,A, D,	DF	Set System Mask	SSM	SI	M, A	80
Exclusive OR	XR	RR C		17	Shift Left Double	SLDA	RS C	S, IF	8F
Exclusive OR	X	RX C	A,S	57	Shift Left Double Logical	SLDL	RS	S	8D
Exclusive OR	XI	SI C	P,A	97	Shift Left Single	SLA	RS C	IF	8B
Exclusive OR	XC	SS C	P,A	D7	Shift Left Single Logical	SLL	RS		89
Execute	EX	RX	A,S, EX	44	Shift Right Double	SRDA	RS C	S	8E
					Shift Right Double Logical	SRDL	RS	S	8C

Figure 12. Alphabetic List of Instructions (Sheet 1 of 2)

NAME	MNEMONIC	TYPE	EXCEPTIONS	CODE	NAME	MNEMONIC	TYPE	EXCEPTIONS	CODE
Shift Right Single	SRA	RS C		8A	Subtract Norm-	SE	RX F,C	A,S,U,E,LS	7B
Shift Right Single					alized (Short)				
Logical	SRL	RS		88	Subtract Unnorm-	SWR	RR F,C	S, E,LS	2F
Start I/O	SIO	SI C M		9C	alized (Long)				
Store	ST	RX	P,A,S	50	Subtract Unnorm-	SW	RX F,C	A,S, E,LS	6F
Store Character	STC	RX	P,A	42	alized (Long)				
Store Halfword	STH	RX	P,A,S	40	Subtract Unnorm-	SUR	RR F,C	S, E,LS	3F
Store (Long)	STD	RX F	P,A,S	60	alized (Short)				
Store Multiple	STM	RS	P,A,S	90	Subtract Unnorm-	SU	RX F,C	A,S, E,LS	7F
Store (Short)	STE	RX F	P,A,S	70	alized (Short)	SVC	RR		0A
Subtract	SR	RR C		IF 1B	Supervisor Call				
Subtract	S	RX C	A,S,	IF 5B	Test Channel	TCH	SI C M		9F
Subtract Decimal	SP	SS T,C	P,A, D,	DF FB	Test I/O	TIO	SI C M		9D
Subtract Halfword	SH	RX C	A,S,	IF 4B	Test Under Mask	TM	SI C A		91
Subtract Logical	SLR	RR C		1F	Translate	TR	SS P,A		DC
Subtract Logical	SL	RX C	A,S	5F	Translate and Test	TRT	SS C A		DD
Subtract Norm-					Unpack	UNPK	SS P,A		F3
alized (Long)	SDR	RR F,C	S,U,E,LS	2B	Write Direct	WRD	SI Y M, A		84
Subtract Norm-					Zero and Add	ZAP	SS T,C P,A, D, DF		F8
alized (Long)	SD	RX F,C	A,S,U,E,LS	6B					
Subtract Norm-									
alized (Short)	SER	RR F,C	S,U,E,LS	3B					

LEGEND

MNEMONIC:

Mnemonic Used For Programming

TYPE:

Instruction Type (RR, RX, RS, SI, SS) and Instruction Set which provides the Instruction (No Indication = Standard Set)

F: Floating Point Feature

T: Decimal Feature

Y: Direct Control Feature

Z: Protection Feature

C: Indicates that the Instruction sets the Condition Code

CODE:

Operation Code in Hexadecimal

EXCEPTION:

Program Checks detected during Instruction Execution:

A: Main Storage Address Specification

D: Data Format or Coding

DF: Decimal Overflow

DK: Decimal Divide Exception

E: Exponent Overflow

EX: Execute Exception

FK: Floating Point Divide Exception

IF: Fixed Point Overflow

IK: Fixed Point Divide Exception

LS: Significance Exception

M: Privileged Operation

P: Protection Exception

S: Specification Exception

U: Exponent Underflow

Figure 12. Alphabetic List of Instructions (Sheet 2 of 2)

the result is stored in the even/odd register pair specified by R1.

In decimal arithmetic, the multiplier size is limited to 15 digits and must be less than the number of multiplicand digits to give a maximum of 31 digits in the result.

Divide: The dividend (first operand) is divided by the divisor (second operand), and the quotient and the remainder replace the dividend.

In fixed-point arithmetic, the dividend R1 must specify an even/odd register pair; the relative size of

dividend and divisor must be such that the quotient does not exceed 31 bits.

In decimal arithmetic, the maximum size of the dividend is 31 digits. The relative size of dividend and divisor must be such that the quotient does not exceed 15 digits.

Compare: The first and second operands are compared; the result is related to the first operand (low – the first operand is less than the second operand). The first operand is not destroyed.

Shift Left or Right: All shift operations are in the rs format. The content of R1 is shifted the number of

bits indicated by the 6 low-order bits of the address specified by B plus D (the address is not used to address data in main storage).

Single or double shift specifies the number of registers to be shifted; single – one register; double – an even/odd register pair.

Logical Instructions

AND, OR, Exclusive OR: All formats, RR, RX, SI, SS. The logical result of the first and second operand replaces the first operand.

The logical operation is performed bit by bit:

AND	OR	XOR
0 + 0 = 0	0 + 0 = 0	0 + 0 = 0
0 + 1 = 0	0 + 1 = 1	0 + 1 = 1
1 + 0 = 0	1 + 0 = 1	1 + 0 = 1
1 + 1 = 1	1 + 1 = 1	1 + 1 = 0

Load: Load general register R1 with information specified by the second operand.

Store: Store the contents of general register R1 at the address specified by the second operand.

Move: ss format. Moves variable-length information from the address specified by operand 2 to the address specified by the first operand.

Convert to Binary: rx format. The double word located at the address specified by the second operand is changed from the packed decimal format to binary and stored in the general register specified by the first operand.

Convert to Decimal: rx format. R1 is changed from binary into packed decimal, the result is stored in the double word specified by the second operand.

Pack: ss format. The format of the second operand is changed from zoned decimal into packed decimal; the result is stored at the address specified by the first operand.

Unpack: ss format. The second operand is changed from packed decimal to zoned decimal. The result is stored at the address specified by the first operand.

Translate: ss format. The string of eight-bit bytes specified by the first operand is used as a number of successive arguments in a table starting with the address specified by the second operand. Each byte of the first operand is replaced by the contents found in the table.

The contents of a first-operand byte are added to the start address of the table. The location thus addressed contains the code into which the original character has to be translated.

Examples

RR instruction:

MNEM	HEX	OP CODE	R1	R2
AR	1A	00011010	0111	1001

Fixed-point add – add contents of general register 9 to contents of general register 7; store the result in general register 7.

RX instruction:

MNEM	HEX	OP CODE	R1	X2	B2	D2
C	59	01011001	0011	0110	1111	000000010000

Fixed-point compare – compare the contents of general register 3 with the word stored in the main-storage location with the address (contents of general register 15 plus contents of general register 6 plus the displacement – 16 in this example).

RS instruction:

MNEM	HEX	OP CODE	R1	R3	B2	D2
LM	98	10011000	0010	0111	1110	000000000

Load multiple – load general registers 2 to 7 with information from main storage, starting with the address (contents of general register 14-D2 is zero in this example).

SI instruction:

MNEM	HEX	OP CODE	I2	B1	D1
N1	94	10010100	00111000	1111	010110010000

AND immediate – AND the byte stored in main storage at the address contents of general register 15 plus D1 with the immediate information 00111000. The result is stored back to main storage.

SS instruction:

MNEM	HEX	OP CODE	L1	L2	B1	D1
SP	FB	11111011	0100	0011	1110	001111010111
			B2		D2	
			1110		011110001110	

Subtract decimal – subtract the packed decimal number at the address, B2 plus D2, from the number at the address, B1 plus D1. The first operand is located at the address given by adding the contents of general register 14 to the value of D1; it has a length of 5 bytes (9 digits + sign). The second operand has a length of 4 bytes (7 digits + sign).

The number of bytes to be processed is the numeric value of the L field plus one. For example, an L1 field of 0100 (4 decimal) specifies that five bytes are to be processed starting at the address of B1 plus D1.

Branch Instructions

- Branching instructions permit out-of-sequence operations.
- Conditional branch instructions allow decision making.

The normal sequence of instructions is changed when reference is made to a subroutine, when a two-way choice is encountered, or when a segment of coding (such as a loop) is to be repeated. These tasks are accomplished with branching instructions.

Subroutine linkage permits not only the introduction of a new instruction address but also the preservation of the return address and associated information.

Decision-making is provided by the branch on condition instruction. This instruction inspects a two-bit condition code that reflects the result of a majority of the arithmetic, logical, and I/O operations.

Each of these operations can set the code in any of four states; the conditional branch can specify any selection of these four states as the criterion for branching. For example, the condition code reflects such conditions as result non-zero, first operand high, overflow, channel busy, etc. Once set, the condition code remains unchanged until modified by an instruction that reflects a different condition code. The two bits of the condition code provide for four possible condition code settings: 0, 1, 2, and 3. The specific meaning of any setting is significant only to the operation setting the condition code.

Loop control can be performed by the conditional branch when it tests the outcome of address arithmetic and counting operations. For some particularly frequent combinations of arithmetic and tests, the instructions branch on count and branch on index are provided. These branches, being specialized, provide increased performance for these tasks.

Branch on Condition

RR — Op Code (BCR, 07) M1, R2
 RX — Op Code (BC, 47) M1, X2, B2, D2

The condition code is investigated as specified by the four-bit mask, M1. If the condition is satisfied, the current instruction counter (IC) value is replaced by the address specified by operand 2 (RR: contents of general register R2; RX: address specified by B2 + X2 + D2). If the condition is not satisfied, IC remains unchanged and the next sequential instruction is executed.

The condition code can be any of the following combinations, depending on the result of the last instruction executed that affects the code.

The four-bit mask in bit positions 8-11 of the instruction corresponds, left to right, with the four condition code settings:

	0 0	0 1	1 0	1 1
Bit	8	9	10	11

The branch is successful whenever the present condition code matches a corresponding mask bit of 1. Multiple mask bits are permissible.

Examples:

1. A branch should occur if the condition code is 00: the mask must specify: 1000.
2. A branch should occur if the condition code is not 00: the mask must specify: 0111.

3. For an unconditional branch, the mask is 1111.
4. For no operation, the mask is 0000.
5. Any other combination is possible.

Branch and Link

RR — op code (BALR, 05) R1, R2.
 RX — op code (BAL, 45) R1, X2, B2, D2.

Branch and link is an unconditional branch. The current IC, together with other psw information (bits 32-63), is stored in the general register specified by R1. Subsequently, the address specified by operand 2 (RR: contents of general register R2, RX: address specified by B2 + X2 + D2) replaces the current IC.

This instruction is normally used for subroutine linkage. The return address from the subroutine to the main program is preserved in the register specified.

Branch On Count

RR — op code (BCTR, 06) R1, R2.
 RX — op code (BCT, 46) R1, X2, B2, D2.

The contents of the general register specified by R1 are treated as a 32-bit fixed-point integer and algebraically reduced by 1 every time this instruction is executed.

As long as the result in R1 is not zero, the current IC is replaced by the address specified in the second operand; consequently, a branch takes place. If the result is zero, IC remains unchanged and the next sequential instruction is executed.

The subtraction is performed prior to testing for zero result.

This instruction is used if part of the main program has to be looped a predetermined number of times.

Execute

RX — op code (EX, 44) R1, X2, B2, D2.
 Branch instruction to execute one single instruction outside the normal instruction sequence.

The single instruction at the address specified by operand 2 (B2 + X2 + D2) is modified by the contents of general register R1 and executed. Note that this instruction must not be another execute.

Bits 8-15 of the instruction designated by the branch address are OR'ed with bits 24-31 of R1. The contents of R1 or the instruction held in storage are not changed by this operation.

The IC is updated by 4, unless the instruction executed is a successful branch instruction. In this case, the current IC is replaced by the new IC introduced.

Sequential Instruction Execution

- Instructions are executed sequentially under control of an instruction counter (IC).
- The instruction counter is updated as instructions are executed.

Normally, the operation of the processing unit is controlled by instructions taken in sequence. An instruction is fetched from a storage location specified by the current instruction count. The instruction count is then increased by the number of bytes in the instruction to address the next sequential instruction. The instruction is then executed, and the same steps are repeated using the new value of the instruction counter.

All halfwords of an instruction are fetched from storage after the preceding operation is completed and before execution of the current operation, even though physical storage-word size and overlap of instruction execution with storage access may cause actual instruction fetching to be different. Thus, it is possible to modify an instruction in storage by the immediately preceding instruction.

A change from sequential operation may be caused by branching, status switching, interrupts, or manual intervention.

Program Status

- To increase efficiency, manual controls are kept to a minimum.
- The over-all system status is defined by stored information.
- The system status is stored in a double word: the program status word (psw).
- Status switching instructions alter the status of the system.

The efficiency of a computer can be increased by keeping the necessary manual controls to a minimum, thus reducing the idle times for manual interventions.

Most of the control operations necessary are under control of stored programs (supervisor programs). The only manual operations required are those to initially load the supervisor program and to load i/o units with external documents (cards, paper, magnetic tape, etc.).

All pertinent information to control and indicate the over-all systems status for a particular program to be executed is stored in a double word held within the data flow of the system. This information is referred to as the psw (program status word).

In order to alter the system status, the psw has to be altered. This can be accomplished with special status switching instructions.

psw information, which may be changed by the system during system operation, can be investigated by the program.

Program Status Word (PSW)

- The psw presently controlling system operation is called the current psw.

- psw fields explained here:

AMWP

CC

Instruction Counter (IC).

Refer to Figure 13 for the format of the psw.

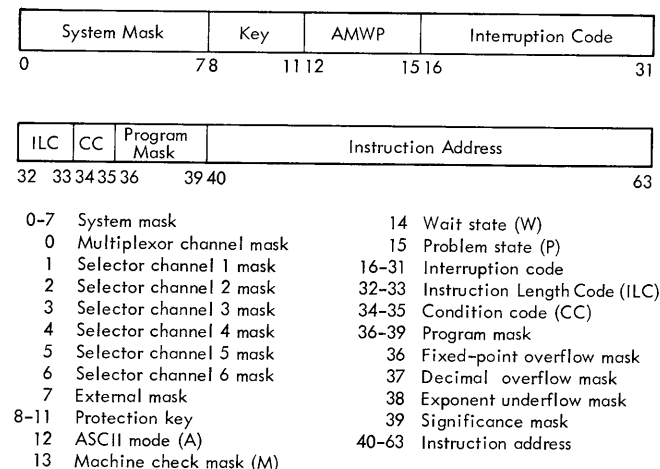


Figure 13. Program Status Word Format

psw information held within the data flow (in local storage or in latches) and currently controlling over-all system status is called current psw.

Other psw's for future use can be stored anywhere: in main storage or in external storage media (cards, tapes, disks, etc.).

AMWP (Bits 12-15)

Bit 12: A, ASCII Mode: If bit 12 is a 1, all instructions sensitive to zoned decimal format interpret or generate the zone and sign bits according to the ASCII code.

If bit 12 is 0, EBCDIC code is used.

Bit 13: M, Machine Check Mask: If bit 13 is 1, allows the machine malfunction interrupt. If bit 13 is 0, does not allow the interrupt.

Bit 14: W, Wait State: If bit 14 is 1, the CPU is in the wait state; no instructions are executed but the system is ready to accept interrupts.

If bit 14 is 0, the CPU is in the running state and executing machine instructions.

Bit 15: P, Problem State: If bit 15 is 1, the CPU is in the problem state and all i/o instructions and status switching instructions are invalid. If bit 15 is 0, the CPU is in the supervisor state and all instructions are valid. Instructions that are valid only in the supervisor state are called privileged instructions and are marked "M" in Figure 12.

Problem programs are normally run in problem state to ensure that instructions that may affect the over-all system status are invalid. These privileged instructions may not be executed unnoticed by the supervisor program, which is the only program in charge of systems control. Supervisor programs are always run with bit 15 of the psw = 0.

Condition Code (Bits 34 and 35)

- The condition code is set by certain machine instructions according to the result obtained.
- The condition code has different meanings for different instructions.
- The condition code can be investigated by branch on condition.

The condition code in the psw is set according to the result of certain machine instructions. The instructions that set the condition code are those marked C in Figure 12. Other instructions leave the condition code unchanged.

The result reflected in the condition code depends on the instruction executed. General forms are shown below.

The condition code can be investigated by the branch on condition instructions.

INSTRUCTION	CONDITION CODE			
	00	01	10	11
Arithmetic operations: result is:	0	<0	>0	Overflow
Compare operations: result is:	equal	low	high	—
Logical operations (AND, OR, XOR) result is:	0	≠0	—	—
I/O operations, the addressed unit is:	available	exceptional condition present	busy	not ready

Instruction Counter (Bits 40-63)

- 24-bit ms address of the next sequential instruction.
- ic is updated during instruction fetch by the number of bytes in the current instruction.
- During successful branch instructions, the ic is replaced by the branch address specified.

The instruction counter (ic) always contains the ms address of the next sequential instruction. The ic originally loaded into the psw specifies the ms address of the first instruction to be executed.

During sequential instruction execution, the ic is updated during the instruction-fetch phase by the number

of bytes the new instruction contains; i.e. by 2 for rr instructions; by 4 for rx, rs, and si instructions; or by 6 for ss instructions.

After a successful branch instruction, the current ic is replaced by the branch address specified, and instruction fetch is resumed from this new location.

Status Switching Instructions

- Instructions that alter part of the current psw or introduce a new psw are called status switching instructions.
- Generally, status switching instructions are valid only if the system is in supervisor state (bit 15 of the current psw = 0).

Load PSW

si format: op code (LPSW, 82), bits 8-15 ignored, B1, D1.

The double word located at the ms address specified by B1 plus D1 replaces the entire current psw.

Set Program Mask

rr format: op code (SPM, 04), R1 bits 12-14 ignored.

Bits 2-7 of the general register specified by R1 replace bits 34-39 of the current psw (condition code and program mask).

Exception: This instruction is valid in problem state.

Set System Mask

si format: op code (SSM, 80), bits 8-15 ignored, B1, D1.

The byte located at the ms address specified by B1 plus D1 replaces the system mask (bits 0-7) of the current psw.

Interrupt System

- The interrupt system increases the efficiency of the programmed system control.
- All conditions that occur asynchronously to the normal sequential instruction execution are signalled to the system by a program interrupt.
- Three interrupt types: (1) always accepted by the system, (2) can be masked off but remains pending, and (3) can be masked off and ignored.
- Acceptance of an interrupt automatically stores current psw: interrupt handling is determined by the program.

The efficiency of over-all system control by the psw is further increased by the interrupt concept.

Conditions arise that are asynchronous with sequential instructions. These conditions can be anticipated

by the program (e.g. completion of a previously initiated I/O operation, inquiries from transmission terminals, etc.) or the conditions may occur with no relation to the over-all program flow (unexpected conditions, e.g. program checks, machine malfunctions). All these conditions are signalled to the system at the time of occurrence by a program interrupt.

For anticipated conditions, no special programming is necessary (periodic interrogation of status latches during the main program). Unexpected conditions do not necessarily stop the system, and consequently do not always require manual operator interventions to resume system operation. Program checks never stop the system; machine malfunctions do so only if a permanent system failure exists.

Anticipated interrupts are accepted by the system only if the system is in wait state or after completion of the instruction during which the interrupt is signalled.

Unexpected interrupts (program or machine checks) are taken as soon as they occur.

Certain program check interrupts are always accepted by the system.

The majority of all possible interrupts can be masked off by programming (set up of *psw*). When masked off, they are not accepted by the system at the time they occur, but remain pending until the *psw* is changed (by programming).

Certain program check interrupts can be masked off and ignored (exceptional conditions masked off by the program mask, bits 36-39 of *psw*).

The only system operation performed when a program interrupt is accepted is replacement of the current *psw*.

The current *psw* is stored at a predetermined main storage location and is subsequently referred to as old *psw*. Depending on the type of interrupt, an interruption code is set into this old *psw*.

From another predetermined *ms* location a new *psw* is fetched, which now becomes the current *psw* controlling further systems operation. In particular, the *ic* of the new *psw* indicates a program segment in main storage that performs the necessary decisions and contains the instructions to handle the present interrupt.

Since all pertinent information of the interrupted program is preserved in the old *psw*, this program can be resumed after interrupt handling at the exact point of interruption and with the same over-all system status as at the time of interruption.

Types of Interrupts

- Five types of interrupts: I/O, external, supervisor call, program check, and machine check.
- Each type of interrupt has two related *psw*'s, old and new, held in main storage.

I/O Interrupts

An I/O interrupt provides a means by which the CPU responds to conditions in the channels and I/O units.

An I/O interrupt can occur only for the channel whose system mask bit (bit 0, 1, or 2) is a one. The address of the channel and I/O unit involved are recorded in the old *psw*. Further information concerning the I/O operation is preserved in the channel status word (*csw*) that is stored during the interruption.

External Interrupts

The external interrupt provides the means by which the CPU responds to signals from the interruption key on the system control panel, the timer, and the external signals of the direct control feature.

An external interrupt can occur only when the system mask bit 7 is a one.

Supervisor-Call Interrupt

This interrupt occurs as a result of execution of supervisor call instruction.

A major use for the *svc* instruction is to switch from a problem program to the supervisor program.

It is the only instruction available in problem state (*psw* bit 15 = 1) that provides a means of status switching. During execution of this instruction (*RR* format: op code (*svc*, 0A), R1, R2) the current *psw* is replaced by the new *svc psw* and the 8 bits R1, R2 are set into the interruption code of the old *svc psw*.

Program-Check Interrupt

Unusual conditions encountered in a program create a program check interrupt. These conditions include incorrect operands and operand specifications, as well as exceptional results.

Machine-Check Interrupt

The occurrence of an intermittent machine malfunction (if not disabled by *psw* bit 13 = 0) terminates the current instruction, initiates a diagnostic procedure, and subsequently causes the machine-check interrupt. A machine check cannot be caused by invalid data or instructions.

Each type of interrupt has two related *psw*'s, old and new, stored at predetermined main storage locations.

If any program interrupt occurs, the type of interrupt is indicated to the system by the *ms* location from which the new *psw* is fetched, i.e. the pre-stored new *psw*'s indicate different interrupt handling routines (*ic*).

Permanent Main Storage Locations

- The old and new *psw*'s for the various interruption types are stored at fixed locations.
- Other essential control information have locations.

- **Permanent ms locations should not be used for other data.**

Permanent ms locations are shown in Figure 14.

Locations other than those used for old and new psw's are explained in the appropriate sections of this introduction.

The locations specified may not be used as storage for other data without devaluating the system concept. However the interrupt system provided can be completely ignored and most functions could be programmed. The locations for old and new psw's would then be available for other purposes; but, the system efficiency would drop considerably.

Priority of Interrupts

- **Only one interrupt of any one type can be present at a time.**
- **Simultaneously occurring interrupts of different types are accepted in a predetermined priority.**
- **The sequence in which interrupts are handled is the reverse sequence of their acceptance.**

The I/O interrupts may be requested by several units operating concurrently; however, only one interrupt can be accepted by the system at any one time. External interrupts may be requested by several sources. They are or'ed together and accepted as one interrupt. For other interrupt types, only one interrupt at a time is possible.

During the execution of an instruction, several interrupt requests of different types may occur simultaneously. Simultaneous interrupts are accepted in the following predetermined order:

ADDRESS	LENGTH	PURPOSE
0 0000 0000	double-word	Initial program loading PSW
8 0000 1000	double-word	Initial program loading CCW1
16 0001 0000	double-word	Initial program loading CCW2
24 0001 1000	double-word	External old PSW
32 0010 0000	double-word	Supervisor call old PSW
40 0010 1000	double-word	Program old PSW
48 0011 0000	double-word	Machine-check old PSW
56 0011 1000	double-word	Input/output old PSW
64 0100 0000	double-word	Channel status word
72 0100 1000	word	Channel address word
76 0100 1100	word	Unused
80 0101 0000	word	Timer
84 0101 0100	word	Unused
88 0101 1000	double-word	External new PSW
96 0110 0000	double-word	Supervisor call new PSW
104 0110 1000	double-word	Program new PSW
112 0111 0000	double-word	Machine-check new PSW
120 0111 1000	double-word	Input/output new PSW
128 1000 0000		Dagnostic scan-out area*

* The size of the diagnostic scan-out area depends on the particular model and I/O channels.

Figure 14. Permanent Storage Assignments

Machine check
 Program check or supervisor call
 External
 Input/output

The program-check and supervisor-call interrupts are mutually exclusive and cannot occur at the same time.

When more than one interrupt source requests service, the action consists of storing the old psw and fetching the new psw belonging to the interruption that is taken first. This new psw is subsequently stored without any instruction execution, and the next interrupt psw is fetched. This process continues until no more interrupts are to be serviced.

When the last interrupt request has been serviced, instruction execution is resumed using the psw last fetched. The order of execution of the interrupt sub-routines is, therefore, the reverse of the order in which psw's are fetched.

Thus, the most important interrupts, I/O and external, are actually serviced first.

Machine check, when it occurs, does not allow any other interrupts to be recognized.

Masking of Interrupts in PSW

- **Most interrupts can be prevented by zero mask bits in the current psw.**
- **Masked interrupts remain pending until the appropriate mask bit are set to one.**

I/O Interrupts

The I/O interrupts are masked in the system mask of the psw.

The individual channels can be masked independently in bits 0-6. In the IBM 2040, only the first three bits are significant:

- Bit 0 for the multiplex channel.
- Bit 1 for selector channel 1.
- Bit 2 for selector channel 2.

When a mask bit is 1, the source can interrupt the CPU; with a mask bit of 0, the source cannot interrupt but the interrupt remains pending.

External Interrupts

External interrupts are masked in bit 7 of the system mask.

Although different sources for external interrupts exist, there is only one mask bit (bit 7) that allows all sources to interrupt.

- 1: interrupts are allowed and accepted
- 0: interrupts are not allowed but remain pending.

Supervisor-Call Interrupts

Supervisor-call interrupts cannot be masked off and are taken whenever a supervisor-call instruction is executed.

Program Check Interrupts

Some exceptional conditions which may arise during arithmetic operations can be masked by the program mask of the psw. When the appropriate bits are 1, the interrupts are accepted; when the bits are 0 the interrupts are ignored.

Bit 36: Fixed Point Overflow: masks program-check interrupts generated by overflows in fixed-point arithmetic.

Bit 37: Decimal Overflow: masks program-check interrupts generated by overflows in decimal arithmetic.

Bit 38: Exponent Underflow: masks program-check interrupts generated if the exponent in floating-point arithmetic is less than -64.

Bit 39: Significance: masks program-check interrupts generated if the resulting fraction in floating-point add or subtract operation is zero.

Other program-check interrupts cannot be masked and are always accepted.

Machine-Check Interrupts

Machine check interrupts are masked in bit 13 of the psw (machine check mask). If bit 13 = 1, intermittent machine malfunctions generate a machine check interrupt. If bit 13 = 0, machine check interrupts are not accepted but remain pending.

Interrupt Code in PSW

- The interrupt code, stored in bits 16-31 of the old psw during the interrupt sequence, identifies the source of the interrupt.

I/O Interrupts

Old psw stored in main storage location 38 hex, interruption source is identified as follows:

```

0000 0000 aaaa aaaa Unit on MPX channel
0000 0001 aaaa aaaa Unit on SC 1
0000 0010 aaaa aaaa Unit on SC 2
a . . . . a = device address of the unit that caused the interrupt.

```

External Interrupts

Old psw stored in main storage location 18 hex, interrupt source is identified as follows:

```

Bits 16-23 are always zero,
Bits 24-31 as follows:
x x x x x x x 1 External signal 7
x x x x x x 1 x External signal 6
x x x x x 1 x x External signal 5
x x x x 1 x x x External signal 4
x x x 1 x x x x External signal 3
x x 1 x x x x x External signal 2
x 1 x x x x x x Console interrupt key
1 x x x x x x x Timer
x = Unpredictable external interrupts from different sources
are or'ed and accepted as one interrupt. Consequently,
more than a single 1 bit may be present in the interrupt
code.

```

Supervisor-Call Interrupt

Old psw stored in ms location 20 hex, interruption source is identified as follows:

- Bits 16-23 are always zero,
- Bits 24-31 contain bits 8-15, of the svc instruction.

Program-Check Interrupt

Old psw stored in ms location 28 hex, interruption source is identified as follows:

- Bits 16-27 are always zero,
- Bits 28-31 as follows (instructions affected as in Figure 12).

0001 Invalid Operation: occurs when an operation code is unassigned or the operation code is not available on the particular machine.

0010 Privileged Operation: occurs when the cpu is operating in the problem program state and a privileged instruction is given. Privileged instructions are indicated by M.

0011 Execute: occurs when the instruction designated by an execute instruction is another execute instruction. Instruction affected: EX.

0100 Protection: occurs when the storage key of an addressed location does not match the protection key in the PSW. Instruction affected: P.

0101 Addressing: occurs when an address specifies any part of data, an instruction, or a control word outside the available main storage area for the particular installation. Instruction affected: A.

0110 Specifications: occurs when:

1. A data word, instruction word, or control word address does not specify an integral boundary for the unit of information.
2. The R1 field of an instruction specifies an odd register address for a pair of general registers that contain a 64-bit operand.
3. A floating-point register address other than 0, 2, 4, or 6 is specified.
4. In decimal arithmetic, the multiplier or divisor exceeds 15 digits and sign.
5. The first operand field is shorter than, or equal to, the second operand field in decimal multiplication or division.
6. The block address specified in set storage key instruction or insert storage key instruction does not contain all zeros in the four low-order bit positions.

Instruction affected: S.

0111 Data: occurs when:

1. The sign or digit codes of operands are incorrect in decimal arithmetic, convert to binary, or editing.
2. Fields in decimal arithmetic overlap incorrectly.
3. The decimal multiplicand has too many high-order significant digits. Instruction affected: D.

1000 Fixed-Point Overflow: occurs when a high-order carry is generated or high-order significant bits are lost in fixed-point add, subtract, or shift operations. The interrupt is under control of the program mask. Instruction affected: **IF**.

1001 Fixed-Point Divide: occurs when a quotient exceeds the register size in fixed-point divide. For division by zero, the instruction is suppressed. If the result of the convert to binary instruction exceeds 31 bits, the instruction is completed and lost information is ignored. Instruction affected: **IK**.

1010 Decimal Overflow: occurs when the destination field is too small to contain the result field. The interrupt is under control of the program mask. Instruction affected: **DF**.

1011 Decimal Divide: occurs when a quotient exceeds the specified data field size. Instruction affected: **DK**.

1100 Exponent Overflow: occurs when the result characteristic in addition, subtraction, multiplication, or division exceeds 127, and the result fraction is not zero. The operation is completed, and a program interrupt occurs. The fraction is normalized, and the sign and fraction of the result remain correct. The result characteristic is made 128 smaller than the correct characteristic. For addition and subtraction, the condition code is set to 1 when the result is less than zero, and the condition code is set to 2 when the result is greater than zero. For multiplication and division, the condition code remains unchanged.

1101 Exponent Underflow: occurs when the result characteristic in addition, subtraction, multiplication, halving, or division is less than zero and the result fraction is not zero. The operation is completed, and a program interrupt occurs if the exponent-underflow mask bit (psw bit 38) is 1.

The setting of the mask bit also affects the result of the operation. When the mask bit is 0, the sign, characteristic, and fraction are set to zero, thus making the result a true zero. When the mask bit is 1, the fraction is normalized, the characteristic is made 128 larger than the correct characteristic, and the sign and fraction remain unchanged.

1110 Significance: occurs when the result is an all-zero fraction in floating-point add or subtract. The interrupt is under control of the program mask. Instruction affected: **LS**.

1111 Floating-Point Divide: occurs when attempting to divide by a floating-point number with an all-zero fraction. Instruction affected: **FK**.

Machine Check Interrupt

Old psw stored in MS location 30 hex. Bits 16-31 are set to zero's.

Instruction Length Code (ILC) in PSW

The instruction length code is stored in psw bits 32, 33 and identifies the instruction length of the last instruction executed.

For some interrupts, it is desirable to locate the instruction that was being interpreted when the interrupt occurred. Since the instruction address in the old psw designates the instruction to be executed next, it is necessary to know the length of the preceding instruction. This length is recorded in bit positions 32 and 33 of the psw as the instruction length code.

The instruction length code is meaningful only for program check and supervisor-call interrupts. For I/O and external interrupts, the interruption is not caused by the last-interpreted instruction, and the code is not meaningful for these instructions. For machine-check interrupts, the setting of the code may be affected by the malfunction and, therefore, is unpredictable.

For the supervisor-call interrupt, the instruction length code is 1, indicating the halfword length of supervisor call. For program check interruptions, the codes 1, 2, and 3 indicate the instruction length in halfwords.

The code 0 is reserved for program check interruptions where the length of the instruction is not available because of certain overlapping conditions in instruction fetching. In code 0 cases, the instruction counter in the old psw does not represent the next instruction address. Instruction length code 0 can occur for a program check interruption only when the interruption is caused by a protected or an unavailable data address.

The following tables shows the states of the instruction length code.

ILC	PSW BITS 32-33	INSTRUCTION LENGTH	FORMAT
0	00	Not available	
1	01	One halfword	RR
2	10	Two halfwords	RX, RS or SI
3	11	Three halfwords	SS

CPU Status

- CPU status is determined by four types of program-state alternatives.
- The CPU state alternatives are named:
stopped or operating
running or waiting
masked or interruptible
supervisor or problem state
- The states differ in the way they affect CPU functions and in the manner their status is indicated and switched.
- All CPU states are independent of each other.

Stopped or Operating State

The stopped state is entered and left under manual control. Instructions are not executed, interrupts are not accepted, and the timer is not updated. In the operating state, the CPU is capable of executing instructions and being interrupted.

Running or Waiting State

In the running state, instruction fetching execution proceeds in the normal manner. The wait state is normally entered by the program to await an interruption, for example, an I/O interruption or operator intervention from the console.

In the wait state, no instructions are processed, the timer is updated, and I/O and external interruptions are

accepted unless masked. Running or waiting state is determined by the setting of bit 14 in the psw.

Masked or Interruptible State

The CPU may be interruptible or masked for interruptions. The interruptible states of the CPU are changed by changing the mask bits of the psw.

Supervisor or Problem State

In the problem state, all I/O instructions and privileged instructions are invalid and cause a program check interrupt. In the supervisor state, all instructions are valid. The choice of problem or supervisor state is determined by bit 15 of the psw.

I/O System

Sample System Configuration

In order to explain the basic I/O system architecture, a sample configuration is introduced. See Figure 15. In the following sections, reference is made to this figure to show the over-all relationship of functional units and operations.

IBM 2040 Processing Unit: Functional units within the central processor in relation to I/O operations are:

1. CPU circuits – all internal data flow and control circuits of the processor.

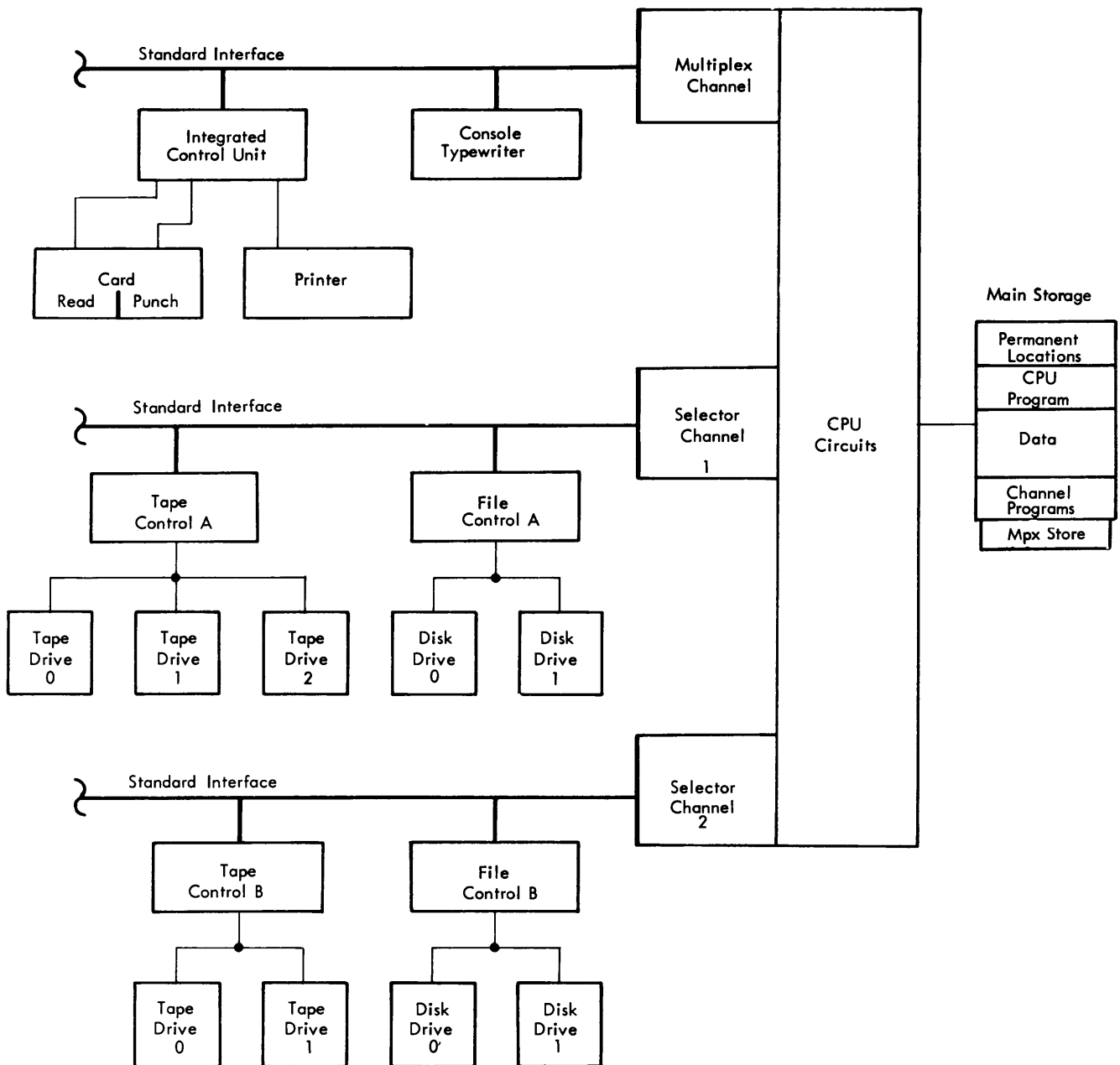


Figure 15. Sample System Configuration

2. Main storage – storage unit that holds all the information required for internal processing (programs and data), destination for input information, and the source for output information.

Channels: are independent control units for input/output operations. Three channels are available:

- Multiplex channel, standard
- Selector channel 1, optional
- Selector channel 2, optional

Control Units: Units that provide the necessary functions for the control of particular I/O devices and translate between device language and channel language.

1. Integrated Control Unit – controls card reader, card punch and printer for concurrent operations; translates between internal data coding and card code, and provides data buffers for a complete card or print line.

2. Tape Control Unit – controls tape drive functions for up to eight drives and provides a single data path between channel and tape drives.

3. File Control – controls disk storage functions for up to eight disk drives provides a single data path between channel and one disk drive; translates between the serial bit representation on disks and the parallel coding of the channel.

I/O Devices: are units that control information external to the system (cards, printing, magnetic tape, disks).

1. IBM 1052 Console Typewriter – communication between operator and system.

2. IBM 2540 Card Reader/Punch – functionally, two independent units for card reading and punching.

3. IBM 1403 Printer – output device for printed documents.

4. Tape Drives – input/output device for magnetic tape. Information is stored on nine tracks (1 byte and parity) in parallel.

5. IBM 2311 or 1302 Disk Drives – high-capacity storage on magnetic disks (2311 interchangeable disk packs; 1302, permanent disks). Information is stored serially by bit.

Many other I/O devices and control units are available. The chosen sample uses only unit types that are already widely distributed throughout the field and whose basic characteristics are commonly known.

The boxes shown on Figure 15 are functional units. Physically, control units and devices may be housed within the same frame.

For example, the control unit for the 1443 printer is included in the printer; the control unit for the console typewriter is included in the CPU frame, and a tape control unit may contain one tape drive within the same frame.

Interconnection of channels, control units and devices is shown in the most simple way. Individual control units may be connected to different channels (shared control units). Individual devices may be connected to different control units (shared devices) and a channel may be directly connected to the channel of a second system (multiprocessor configuration). See Figures 1, 2 and 3.

Standard Interface

- Channels and control units are connected via the standard interface.
- The standard interface is a datapath that transmits one byte of data.
- Electrical specifications for all units connected to the interface are identical.
- All possible I/O devices are controlled by a common interface language that is standard.

Most of the available types of System/360 input/output equipment can be attached to any processor model of the range. This is made possible by the standard interface. The standard interface connects any control unit with any channel.

Physically, the standard interface is a data path that can transmit one byte of information at a time between channel and control unit. (See Figure 15.) Together with the data bus, a standard set of control lines provides identification of the data and allows for interlocking requirements.

Electrical specifications for all units connected to the interface are identical (signal levels, line drivers, and terminators).

Communication with any type of I/O device is in the same common language.

Control units therefore have to interpret this language into the actual control signals required by their attached devices and have to present all information from the device in the same common language.

The channels have to translate between interface language and the control signals of the particular processor. Since the programming concept of any processor in the System/360 is the same, the over-all channel functions are identical.

Input/Output Operations

- I/O operations initiated by the CPU program are of three different types:
 1. Data transfer between I/O device and main storage.
 2. Control of I/O devices.
 3. Test of the status of any functional unit within the I/O system.

Data Transfer

The main purpose of I/O operations is to transfer data between main storage and external storage media. During the actual transfer, the complete datapath from main storage to I/O device is engaged and no other operations may occur at that time.

Depending on the data rate (number of bytes per second) of the particular device and the characteristics of the datapath (control units with or without data buffer, channels with or without data buffer, and a variable amount of circuitry independent of the CPU data flow), the entire data transfer can be split into short transmissions of one to several bytes. This provides CPU process time or data transfers with other channels between actual transmissions (overlapping of CPU processing with data transfers).

Data transfers are initiated by the CPU program. Then the channel sends the proper command to the control unit that is responsible for its execution.

Data transfer commands are:

Read (data from I/O device to main storage)

Write (data from main storage to I/O device)

Read Backwards (magnetic tape is moved backwards during reading).

Control

Control units can be instructed by the CPU program to perform functions other than data transfers, e.g. card readers — stacker select; printers — form control (space, skip); tape drives — rewind, backspace, erase, etc.; disk drives — seek (move the access mechanism), search (locate a particular position on the circumference of the track).

For most control functions, the entire operation is specified to the control unit by the command; other controls may require additional data, such as the track address for a seek operation in the case of a disk drive.

Once the command is accepted by the unit, channel and interface facilities are no longer required; the control unit alone controls proper execution of the command.

Test

The CPU program may require certain status information from the I/O system during processing. Test commands are available to instruct the control unit to send specific status information. The basic information determined is whether a certain data path or I/O device is busy or available. Detailed information about error conditions may also be requested.

A test operation is basically a read data transfer that does not affect external data. Instead, the information is gathered within the system.

Channel Types

- Two types of channels are available:
 - One multiplex channel is standard.
 - Two selector channels are optional.

Multiplex Channel

- Connects I/O units with relatively low data-rates.
- Contains a number of independent subchannels.
- Operates either in multiplex or burst mode.
- Is not buffered and shares all facilities with the CPU.

The multiplex channel is provided to connect a number of I/O devices with relatively low data-rates to the CPU (Figure 18). Card readers, printers, and display terminals are the more common units connected to this channel, but the full range of teleprocessing and process control equipment is also possible. Magnetic tape and disk units can be connected, but with units of high data-rate, the efficiency of the multiplex channel drops rapidly.

The multiplex channel can contain up to 128 separate sub-channels. The number of subchannels is related to the main storage size of the processor.

One subchannel provides all logical information to control one I/O device. Simultaneous I/O operations on several subchannels are possible. This mode of operation, which is possible only on the multiplex channel, is called multiplex, byte, or data interleave mode.

It was stated earlier that the interface is one single datapath. This is still true for the multiplex channel, but the interface facilities can be time-shared between the subchannels to control more than one I/O device at a time.

In multiplex mode, the individual I/O unit is logically connected to the channel only for the time required to transmit one byte of data. Between data bytes, the unit is disconnected and the channel is free to transmit single bytes to or from other units. Therefore, during simultaneous I/O operations on the multiplex channel, single bytes from different devices are interleaved.

The second mode of operation of the multiplex channel is called burst mode. During burst mode operation, one I/O device remains logically connected to the channel for the entire time of the data-transfer operation and no other sub-channels can share the interface facilities.

The maximum data rates of the 2040 multiplex channel are: 32 KB/s (kilobytes per second) in multiplex mode, and 266 KB/s in burst mode.

From these figures it is obvious that I/O devices having a data rate of more than 32 KB/s can operate only in burst mode. In multiplex mode, the combined

data-rate of all operations in progress may not exceed 32 KB/s.

If maximum allowable data-rates are violated by programming, overrun conditions occur (a device-in operation which requires channel functions cannot be satisfied and I/O data is lost). Overrun is signalled to the program as a unit check condition in the channel status word (CSW).

The multiplex channel is not buffered and shares all facilities with the CPU. Consequently, the CPU time available during I/O operations depends on the mode of operation and the data-rates of the devices.

In multiplex mode, CPU time available gradually decreases with the over-all data-rate until no time is available with a data-rate of 32 KB/s.

In burst mode, all facilities of the CPU are blocked for the entire operation; thus the CPU cannot process concurrently with the I/O device.

Selector Channel

- Connects I/O units with relatively high data-rates.
- Two selector channels are available.
- Each selector channel contains only one subchannel.
- Selector channels are buffered; interference with the CPU is low.

The selector channels are provided to connect I/O devices with relatively high data-rates to the CPU (Figure 15). Tape and disk drives are the more common units, but buffered card equipment and printers can also be attached.

Two selector channels are available: selector channel 1 and selector channel 2. Both channels are optional.

One selector channel contains only one subchannel, i.e. only one I/O unit can be logically connected to the channel at any one time. The selector channel can operate only in burst mode.

Maximum data-rate for the selector channel is 400 KB/s. This figure is true only for one channel in operation. If both channels are working, the maximum data-rate for each channel drops to 300 KB/s.

Selector channels are almost independent hardware channels and are buffered. For data transfers, they share only the main storage access path with the CPU. Consequently, the interference with the CPU operation is low.

Channel Operation

- Channels can be regarded as independent computers for processing I/O instructions.
- The CPU program specifies only the I/O operation to be performed.

- Channels may be physically separated from or may share the CPU circuitry.

Channels can be regarded as independent computers for processing I/O instructions. They contain the basic building blocks of a computer: data handling and control section. The channels are connected on one side to the I/O equipment, on the other side, they share main storage with the central computer for which they have to provide I/O data.

The CPU program only specifies and initiates an I/O operation. Execution of the I/O instruction is then under control of the channel. Similarly to the CPU, the channel is controlled by a channel program; sequencing and status control are held in a unit control word (UCW).

Channels may be physically separated from the CPU circuitry, or they may share CPU facilities. The speed and efficiency of a channel is defined by the data-rate it can handle and by the amount of interference with CPU operations.

An unbuffered channel that shares all facilities with the CPU obviously cannot provide the same amount of processing time during channel operations as a buffered channel with its own dataflow circuitry, which has to share only the main storage access path.

Channel Program

- Channel instructions are channel command words (CCW).
- The CPU program specifies an I/O unit and the location of the command.

The programs that control the channel functions necessary to execute I/O operations independently from the CPU program are also held in main storage. The individual channel program instructions are called commands and are held in double words called CCW's (channel command word).

In order to initiate an I/O operation, the CPU program has to supply the address of the I/O unit affected and the main storage address of the first CCW.

The only CPU instruction that initiates an I/O data transfer is start I/O, SI format: op code (SIO, 9C), bits 8-15 ignored, B1, D1.

The I/O operation is initiated at the channel and device address specified by the contents of D1 plus the B1 register. If the channel specified is greater than channel 2, the condition code is set to 3. The address of the first CCW is always fetched from the fixed MS location 48 hex, where the appropriate channel address word (CAW) has to be stored prior to start I/O initiation. The I/O operation is now under control of one or more CCW's specifying the actual channel commands necessary to perform the operation.

Device Addressing

- The I/O device address is specified in the I/O instruction.
- The address is an 11-bit binary number specifying the device and channel.

An I/O device is designated by an I/O address. Each I/O address corresponds to a unique I/O device and is specified by means of an 11-bit binary number in the I/O instruction. The address identifies, for example, a particular magnetic tape drive, disk drive, or transmission line.

The I/O address consists of two parts: a channel address in the three high-order bit positions, and a device address in the eight low-order bit positions. The channel address specifies the channel to which the instruction applies; the device address identifies the particular I/O device on that channel. Any number in the range 0-255 can be used as a device address, thus providing facilities for addressing 256 devices per channel. The assignment of I/O addresses is:

ADDRESS		ASSIGNMENT
CHANNEL	DEVICE	
000	xxxx xxxx	Mpx devices
001	xxxx xxxx	SC1 devices
010	xxxx xxxx	SC2 devices
011	xxxx xxxx	} Invalid on the IBM 2040
100	xxxx xxxx	
101	xxxx xxxx	
110	xxxx xxxx	
111	xxxx xxxx	

On the multiplex channel the device address identifies the sub-channel as well as the I/O device. A sub-channel can be assigned a unique device address or it can be referred to by a group of addresses. When more than one device address designates the same sub-channel, the sub-channel is said to be shared.

The following table lists the basic assignment of device addresses on the multiplex channel. Addresses with a zero in the high-order bit position relate to sub-channels that are not shared. The seven low-order bit positions of an address in the set identify one of 128 distinct sub-channels.

The presence of a one in the high-order bit position of the address indicates that the address refers to a shared sub-channel. There are eight such shared sub-channels, each of which may be shared by as many as 16 I/O devices. In addresses that designate shared sub-channels, the four low-order bit positions identify the I/O device on the sub-channel.

ADDRESS	ASSIGNMENT
0000 0000	to Devices that do not share a sub-channel
0111 1111	
1000 xxxx	Devices on shared sub-channel 0
1001 xxxx	Devices on shared sub-channel 1
1010 xxxx	Devices on shared sub-channel 2
1011 xxxx	Devices on shared sub-channel 3

ADDRESS	ASSIGNMENT
1100 xxxx	Devices on shared sub-channel 4
1101 xxxx	Devices on shared sub-channel 5
1110 xxxx	Devices on shared sub-channel 6
1111 xxxx	Devices on shared sub-channel 7

Physically, the shared sub-channels are the same as the first eight non-shared sub-channels. In particular, the set of addresses 1000 xxxx refers to the same sub-channel as the address 0000 0000, the set 1001 xxxx refers to the same sub-channel as the address 0000 0001 etc., while the set 1111 xxxx refers to the same sub-channel as the address 0000 0111. Thus, the installation of eight sets of devices that share sub-channels reduces the maximum possible number of devices that do not share a sub-channel to 120.

For multiple devices connected to a control unit (for example, magnetic tape units and the 2701 transmission control) the four high-order bit positions of the device address identify the control unit.

The I/O devices accessible through more than one data path (shared control units or shared devices) have a distinct address for each path of communication. The device address (4 low-order bits) will be the fixed address of the individual device. Channel and control unit address specify the particular data path.

The assignment of the actual control unit addresses is arbitrary and is set up during installation by the customer engineer.

An example of device addresses is given for the configuration in Figure 15 as follows. X = device address, Y = control unit or sub-channel address.

Multiplex Channel: each I/O device can operate independently. No sub-channels are shared.

Examples:

Console Typewriter	0000 xxxxxxxx	00000000001
Card Reader	0000 xxxxxxxx	00000000010
Card Punch	0000 xxxxxxxx	00000000011
Printer	0000 xxxxxxxx	00000000100

If the tape drives presently connected to selector channel 1 were connected to the multiplex channel, the addresses would be: (shared sub-channels)

Examples:

Tape drive 0:	0001 YYY XXXX	0001 101 0000
Tape drive 1:		0001 101 0001
Tape drive 2:		0001 101 0010

Selector Channel 1:

Examples:

Tape drive 0:	001 YYYY XXXX	001 0001 0000
Tape drive 1:		001 0001 0001
Tape drive 2:		001 0001 0010
Disk drive 0:	001 YYYY XXXX	001 0010 0000
Disk drive 1:		001 0010 0001

Selector Channel 2:

Examples:

Tape drive 0:	010 YYYY XXXX	010 0001 0000
Tape drive 1:		010 0001 0001
Disk drive 0:	010 YYYY XXXX	010 0010 0000
Disk drive 1:		010 0010 0001

Example for shared control unit: if tape control unit A is also connected to selector channel 2, addressing for selector channel 1 would remain unchanged; the addresses for selector channel 2 would be:

```
010 0001 0000
010 0001 0001
010 0001 0010
```

Obviously, addresses for tape control unit B have to be changed.

Example for shared devices: If disk drive 0 and 1 on channel 1 are also accessible from channel 2, (file control unit B connects all four disk drives) addressing has to be changed as follows:

```
SC 1 addresses:  unchanged
SC 2 addresses:  Disk drive 0:  010 0010 0000
                  Disk drive 1:  010 0010 0001
Units 0 and 1   }  Disk drive 2:  010 0010 0010
now become 2-3 }  Disk drive 3:  010 0010 0011
```

Channel Address Word (CAW)

- Full word, stored at permanent ms 48 hex.
- Contains the ms address of the first ccw of the channel program and the storage key for the i/o operation.

The CAW has the following format:

```
Bits 0-3      Bits 4-7      Bits 8-31
Key           always zero  Command Address
```

The key specifies the storage key, which controls the access to main storage during the i/o operation. If no protection is specified, or if the feature is not installed, the key contains four zeros. Bits 4-7 have to be zeros. The command address specifies the ms location of the first ccw to be executed after initiating start i/o.

Channel Command Word (CCW)

- Double word, stored anywhere in main storage.
- Contains the information necessary to specify one i/o command.
- The channel program is one or more ccw's executed one after the other.
- The ccw's for one i/o operation are normally stored in sequential ms locations, but some branching is possible.
- If the channel program is defined by more than one ccw, the ccw's are said to be chained.
 1. Command Chaining — several ccw's with different commands specified.
 2. Data Chaining — several ccw's with the same command but with different data sources/destinations.
- Command and data chaining are possible in the same i/o instruction.

Channel command words are double words held anywhere in main storage. Each ccw contains the information necessary to specify one i/o command. The channel program, which specifies all functions of an i/o instruction, is one ccw or several ccw's executed sequentially.

For the format of the ccw see Figure 16.

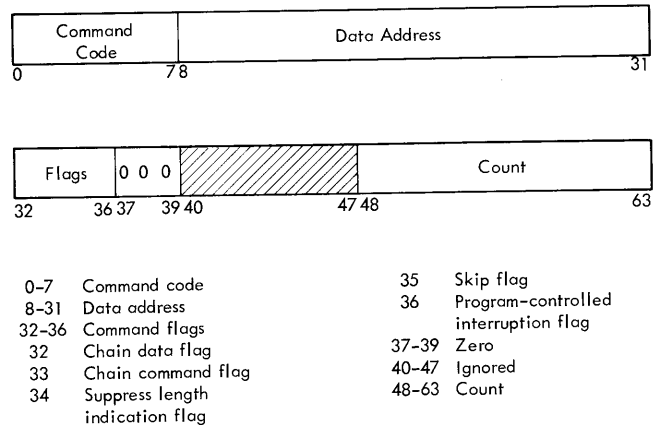


Figure 16. Channel Command Word Format

The command code specifies, to the channel and the i/o device, the operation to be performed.

The channel distinguishes between the following four operations:

- Output forward (write, control)
- Input forward (read, sense)
- Input backward (read backward)
- Branching (transfer in channel)

Commands that initiate i/o operations cause all eight bits of the command code to be transferred to the i/o device. In these command codes, the high-order bit positions can contain modifier bits that specify how the command has to be executed.

They may cause, for example, carriage control on a printer or stacker selection on card equipment.

The meaning of the modifier bits depends on the particular i/o device and may be found in the Systems Reference Library publications or in the FE Manuals of Instruction that pertain to the various devices.

The command code assignment is listed in the following table. An X indicates that the bit position is ignored; an M indicates a modifier bit.

COMMAND	CODE
Sense	MMMM 0 1 0 0
TIC (transfer in channel)	XXXX 1 1 0 0
Read Backward	MMMM 1 1 0 1
Write	MMMM MM 0 1
Read	MMMM MM 1 0
Control	MMMM MM 1 1

The data address, bits 8-31, specifies the main storage address of the first byte of i/o data: source of i/o, destination of i/o data, or branch address.

The count specifies the number of bytes to be transferred. Bit 32 is the chain data flag (CD flag). If this bit is 1, it indicates that after execution of the current ccw a further ccw with the same command code has to be executed.

Bit 33 is the chain command flag (CC flag). If this bit is 1, it indicates that after execution of the current ccw, a further command has to be executed.

Bit 34 is the suppress length indication flag (SLI flag). If this bit is 1, incorrect-length indication is suppressed.

Bit 35 is the skip flag. If this bit is 1 in ccw's specifying input data transfers, the actual data transfer to main storage is suppressed and only the external document is moved as indicated by the ccw (skipping of card columns or magnetic tape information, for example).

Bit 36 is the program control interrupt (PCI flag). If this bit is 1, an I/O interrupt is generated on fetching the ccw. This may be of importance in I/O operations where several ccw's are chained, to indicate to the program the progress of the operation.

Bits 37-39 must always be zero. Bits 40-47 are ignored by the channel. Bits 48-63 is the count area which tells the channel how many bytes to transfer. Examples of channel programs:

1. One ccw only (no CD and no CC flag) — Read one complete record of 200 bytes from a tape drive into MS locations 1000 hex — 10C8 hex.

Command:

MMMM MM10

Data Address:

0000 0000 0001 0000 0000 0000

Flags:

00000

Bits 37-39:

000

Bits 40-47:

ignored

Count:

0000 0000 0000 0000 1100 1000

2. Data chaining (CD flag on) — Read a 200-byte record from a tape drive: Bytes 1-50 into main storage 1000 hex; bytes 51-70 ignored; bytes 71-200 into main storage 2000 hex.

CCW	COMMAND	DATA ADDRESS (HEX)	FLAGS (BINARY)	COUNT (DECIMAL)
1	Read	1000	10000	50
2	ignored	ignored	10010	20
3	ignored	2000	00000	130

3. Command Chaining (CC flag on) — Write 50-byte trailer label on tape (from MS 1000): write tape mark; rewind and unload.

CCW	COMMAND	DATA ADDRESS (HEX)	FLAGS (BINARY)	COUNT (DECIMAL)
1	Write	1000	01000	50
2	Control (modifier bits to specify write TM)	ignored	01100	1
3	Control (modifier bits to specify rewind-unload)	ignored	00100	1

NOTE: The initial count of a ccw may never be zero. In control commands that do not transfer control data, an initial count not zero has to be specified and the SLI flag is set to suppress a wrong-length indication.

4. Branching (TIC) — A command code TIC (transfer in channel) switches the channel program from the next sequential ccw to the ccw specified by the data address of the TIC ccw.

Together with a status bit received from certain control units after execution of a ccw (status modifier bit) some sort of conditional branching is possible.

The first ccw of any channel program may not specify TIC. Two successive TIC's are invalid.

5. Combination of examples 2-4 in the same channel program is possible.

For any programming error detected during fetching of ccw's (invalid specifications) and machine errors detected during execution of ccw's, chaining of any form is suppressed and the I/O operation is terminated with the proper status information indicated to the program.

Channel Control

- All information necessary to sustain an I/O operation on a sub-channel is held in a unit control word (ucw).
- The selector channels have one ucw each; the multiplex channel has as many ucw's as sub-channels.
- The ucw is assembled by the start I/O instruction and updated during the I/O operation.

Information necessary to sustain operation of a sub-channel is held in ucw's (unit control words). Every sub-channel has its own ucw. The single ucw of a selector channel is held within the data-flow; the ucw's for the multiplex channel are stored in a separate area of main storage, called mpx storage.

The number of sub-channels is actually defined by the size of the mpx storage which, in turn, is a function of the main storage capacity installed.

The ucw information is collected from various sources: first from the I/O instruction and the first ccw. During the I/O operation, the information is constantly updated and supplemented by information from the channel and the device.

Contents of the ucw:

Data from the I/O instruction:	Device address Address of CCW (from CAW) Storage key (from CAW)
Data from the CCW:	Command code Flags Data address Count
Data from channel and I/O device:	Channel status and Unit status after execution of every CCW

Channel Status

- Channel and device status information is collected during the I/O operation.
- During an I/O interrupt, status information is transferred to the channel status word (csw).
- When an I/O interrupt is accepted, the csw is stored in the fixed MS location 40 hex.
- It is possible to store a partial csw.

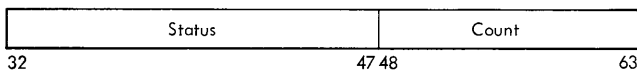
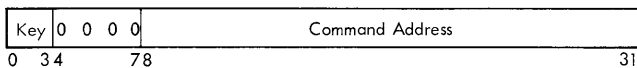
Termination of an I/O instruction is signalled to the program by an I/O interrupt. During the interrupt sequence, a channel status word (csw) is stored in the fixed main storage location 40 hex, giving detailed information on the status of the functional units involved.

The csw may be stored if, during initiation of the I/O instruction, special conditions are detected. In this case, only bits 32-47 are stored. These status bits belong to the channel device addressed by the instruction. The csw format is as shown in Figure 17.

The key specifies the storage key.

Bits 4-7 are always zero.

The command address specifies the main storage address of the last ccw used + 8 (next sequential ccw).



0-3	Protection key	40	Program-controlled
4-7	Zero	41	interruption
8-31	Command address	42	incorrect length
32-47	Status	43	Program check
32	Attention	44	Protection check
33	Status modifier	45	Channel data check
34	Control unit end	46	Channel control check
35	Busy	47	Interface control
36	Channel end	48-63	check
37	Device end		Chaining check
38	Unit check		Count
39	Unit exception		

Figure 17. Channel Status Word Format

Bits 32-39 represent the status of the control unit and I/O device.

Bit 32, attention, is generated if a manual operation is initiated at the device (console typewriter, inquiry and display devices only).

Bit 33, status modifier, is generated by the device when the normal sequence of ccw's has to be modified, or when the control unit detects, during the selection sequence, that it cannot execute the command specified, or if the control unit is busy.

Bit 33 alone indicates that the unit cannot execute the command (read sent to a printer, for example). Bit 33 and bit 35 (busy) indicate that the control unit is busy. This may occur for a control unit such as a tape control (Figure 15). The control unit A has accepted a control command to backspace tape drive 1. The channel was freed after acceptance of the command; the control unit now controls the operation. During this backspace, the program tries to select tape drive 2 which is obviously available. The control unit, however, is busy.

Bit 33 and bit 37 (device end) indicate a jump. The normal sequential execution of ccw's is modified, the next ccw is jumped, and the ccw from the present address + 16 is fetched.

Units such as a disk file generate this condition during search as soon as the comparison of addresses, etc., is as specified. A sample string of ccw's for a search operation would be:

```
CCW 1 Search
CCW 2 TIC to CCW 1 as long as compare is not satisfactory
CCW 3 Read
```

Bit 34, control unit end, is generated only if control unit busy (bits 33 and 35) was present during initiation of an I/O instruction. Indicates to the program that the control unit is now free.

Bit 35, busy, is generated if the device is busy and a new selection is initiated.

Bit 36, channel end, is always generated when the control unit no longer needs channel facilities and is able to complete the I/O operation on its own.

Bit 37, device end, is always generated when the device reaches its mechanical ending point or, on some devices, if the device is switched from the not-ready to the ready status (tape drives for example).

Bit 38, unit check, is usually generated when the control unit or device has detected a machine malfunction.

Bit 39, unit exception, is generated when the I/O device detects a condition that does not normally occur. Unit exception includes conditions such as recognition of a tape mark, stacker full, etc., and does not neces-

sarily indicate an error. It has only one meaning for any particular command and type of device.

Bits 40-47 represent the status of the channel.

Bit 40, program controlled interrupt (PCI), is generated if the csw is stored because of a PCI flag in one of the ccw's.

Bit 41, incorrect length, is generated if the count of the ccw is not zero at the end of an I/O operation and the SLI flag was 0.

Bit 42, program check, is generated if one of the following conditions is detected:

- Invalid CCW specification.
- Invalid CCW address.
- Invalid command code.
- Invalid count (zero).
- Invalid data address.
- Invalid key.
- Invalid CAW format.
- Invalid CCW format.
- Invalid sequence of CCW's (two TIC's).

Bit 43, protection check, is generated if, during the I/O operation, an attempt to violate main storage protection is made.

Bit 44, channel data check, is generated by invalid data detected by channel.

Bit 45, channel control check, is generated by any machine malfunction affecting channel controls.

Bit 46, interface control check, is generated if invalid signals on the interface are detected.

Bit 47, chaining check, is generated by over-run conditions during data chaining on input operations.

Bits 48-63, count, indicate the residual count after the termination of the I/O operation. It should normally be zero; if non-zero, a wrong-length record indication is generated. When the wrong-length indicator is on, the count may be used to calculate the number of bytes transferred and to initiate appropriate action.

I/O Instructions

- Only four I/O instructions are used.
- Start I/O is the only I/O instruction to initiate an I/O operation.

The instruction set provides only four I/O instructions. The only instruction to initiate an I/O operation is start I/O. Other instructions available are:

1. Halt I/O — used to stop an I/O operation in progress.
2. Test I/O — used to obtain the current status of any I/O device including the entire communication path.
3. Test Channel — used to obtain the status of the channel only.

Start I/O

- CAW and ccw must be located correctly before start I/O initiation.
- The system must be in supervisor state.
- Device is selected if available.
- The condition code is set to 11 and the next instruction is fetched if the unit is unavailable.
- The condition code is set when the CPU portion of the operation is completed.

An example of a complete I/O operation is given in Figure 18.

Example: Print a line of 100 characters on the printer (data are to be taken from MS location 1000 hex) and skip to channel 2 after printing. Prior to execution of a start I/O instruction, the following control information has to be in main storage:

1. ccw's specifying the actual channel program, in the example, one ccw only:

COMMAND	DATA ADDRESS	FLAGS	COUNT
MMMM MM01	1000 hex	00000	100

The command code specifies write, the modifier bits M are set to cause a skip to channel.

The specific ccw can be anywhere in main storage, but the boundary specifications for double words must be observed.

2. CAW in the fixed location 48 hex must be:

Key — 0000
Command address — Address of the above CCW

The start I/O instruction can now be given if the system is in supervisor state (otherwise, program check interrupt is generated). Op code (sio, 9C), unit address (000 0000 0100).

The first objective of the start I/O instruction is to check the communication path to see whether it is available or not. This information is contained in the ucw for the addressed sub-channel. If the ucw is found to be busy (I/O operation already in progress or interrupt stacked), the start I/O operation is terminated and the condition code is set to 10.

If the ucw is not busy, it is set up according to the start I/O instruction and the first ccw (unit address, command, etc.). The channel now tries to establish logical connection with the addressed device.

If the addressed device does not reply to the channel, it means that either this device is not connected at all, off line, or power at the device is off. The channel terminates the start I/O instruction and the condition code is set to 11.

If connection with the device can be established, the device (and the control unit) sends its present status

to the channel, where it is analyzed. Depending on the status received, the channel can now start the actual I/O operation (if all functional units are available). The start I/O instruction is completed and the condition code is set to 00, indicating to the program that start I/O is successfully initiated.

The status from the addressed device may, however, indicate such conditions as:

1. Device busy — the printer is still in operation (for example, skipping).
2. Device not ready — the device is not ready to operate (end of forms, not ready).
3. Unit check — any machine malfunction detected by either the device or the control unit.
4. Interrupt pending — interrupt information is stored in the control unit which may not be destroyed by a new operation.
5. Invalid command — the command issued to the device is invalid for this particular device (read command to the printer, for example).

When one of these conditions is encountered, the proper status information is stored in the status field of the csw and the I/O instruction is terminated with the condition code set to 01. The program can thus analyze the status and take the steps necessary to indicate the condition to the operator if manual intervention is necessary.

Summary of the condition code settings for start I/O:

00	I/O operation successfully initiated.
01	CSW stored (status portion only).
10	Sub-channel busy.
11	Unit not operational.

Data Transfer: As stated previously, execution of the I/O instruction is simultaneous with the CPU program. The channel is in charge of all necessary control functions.

The actual access path to main storage has to be shared by CPU and channel. If the channel requires access, the CPU operation is halted for the time required and the main storage access path has to be cleared.

Depending on the channel involved, the data paths to be cleared may include the complete CPU data-flow. Obviously, the contents of the data path to be cleared must be preserved for further CPU operation.

Break-in of the channel in the middle of any CPU operation is called microprogram interrupt. This type of interruption must not be confused with the program interrupts discussed in "Interrupt System" section. A microprogram interrupt takes place unnoticed by the problem program, which justifies the statement that I/O operations are executed in conjunction with the CPU program.

Termination: The end of an I/O operation is signalled to the CPU program by an I/O interrupt. Together with

the exchange of psw's, the complete csw is stored. The device causing the interrupt is specified in the interrupt code of the old I/O psw. All other relevant information on the ending status can be found in the csw.

This end-type interrupt is normally generated when the I/O operation no longer needs channel facilities (end of the data transfer specified in the last ccw of a chain).

The detection of an unusual condition during a channel program terminates the I/O operation. Data transfer of the current ccw is completed, but any ccw chaining is suppressed. The proper status is indicated in the csw.

Conditions that lead to premature termination are: program checks (any type of specification error detected during ccw chaining), machine malfunctions detected anywhere on the communication path, and exceptional conditions detected by the device (stacker full, end of tape reel, etc.).

The status information in the csw may be insufficient to exactly define the necessary action to be taken. The status bit unit check may be caused by several conditions, some of which are machine malfunctions that prevent any further use of the device; others may be expected conditions such as a tape-read error, in which case, a re-try will be programmed.

Additional information from the device may be obtained by a sense command. On receiving a sense command, the device sends its associated sense information to the CPU. Sense information is defined for all different I/O devices and may be a single byte or up to any number of bytes. Sense information for tape drives, for example, is a string of five bytes giving the status of various control latches and check conditions.

Halt I/O

SI format: op code (HIO, 9E), bits 8-15 ignored, B1, D1.

Execution of the current I/O operation at the sub-channel addressed by contents of B1 + D1 is terminated. The instruction does not refer to any ccw.

Resulting condition code:

- 00 — the channel or sub-channel was not working.
- 01 — exceptional condition, status portion of CSW is stored.
- 10 — operation terminated.
- 11 — unit not operational.

Test I/O

SI format: op code (TIO, 9D), bits 8-15 ignored, B1, D1.

The status of the addressed communication path is indicated by the condition code and, under certain conditions, the status portion of the csw is stored. The instruction does not refer to any ccw.

Pending interruptions are cleared by test I/O and the csw is stored.

Resulting condition code:

- 00 – entire communication path available.
- 01 – CSW stored (interrupt cleared or exceptional condition during test I/O detected).
- 10 – sub-channel busy.
- 11 – unit not operational.

Test Channel

SI format: op code (TCH, 9F) bits 8-15 ignored, B1, D1.

The status of the addressed channel is indicated in the condition code. The state of the channel is not affected and no action is taken. The instruction does not refer to any CCW. Resulting condition code:

- 00 – channel available.
- 01 – interruption pending in channel.
- 10 – channel operating in burst mode.
- 11 – channel not operational.

Interrupts

- I/O interrupts are generated by various conditions in the channels and I/O devices.
- Conditions that generate I/O interrupts are:
 - Channel end.
 - Control unit end.
 - Device end.
 - Attention.
 - PCI (program control interrupt flag in a CCW).
- Every I/O operation initiated by start I/O generates channel end and device end.
- The other conditions are generated only in special circumstances.

I/O interrupts are generated by conditions in the channels and have no timing relationship to the CPU operation. They are used to signal significant channel and device information to the CPU program.

In every I/O operation initiated by start I/O the following two conditions are generated and cause an I/O interrupt.

Channel End

This condition is generated whenever the control unit no longer needs the interface facilities to complete a command. The signal is only used to generate an interrupt if it is received from the control unit in reply to the last command in a CCW chain. Further reference to channel end always assumes that it is the last channel end of a channel program.

Device End

The condition is generated when the device currently operating reaches its normal mechanical ending point.

On some devices, device end is also generated when the device is switched from the not-ready to the ready state (tape drives) and the device was previously ad-

ressed by an I/O instruction (start I/O, test I/O) while in the not-ready state.

When command chaining is used, an interrupt is generated only for the device end of the last CCW.

Depending on the type of device and the command issued, device end can be generated at the same time as channel end.

Example:

Channel end and device end simultaneously:

Tape drives – read, write, sense.

Disk drives – read, write.

Serial card reader 1442 – read 80 columns.

Device end after channel end:

Tape drives – control (backspace, rewind, etc.).

Disk drives – control (seek).

Buffered card equipment – channel end after buffer service by the channel, device end after buffer service by the device.

Control Unit End

Control unit end is generated only if the particular control unit was previously addressed by an I/O instruction (start I/O or test I/O) and was busy at that time.

Attention

Attention is generated by such devices as console typewriters, display consoles, etc., when a manual inquiry is attempted.

Program Control Interrupt (PCI)

Program control interrupt (PCI) is generated when a PCI flag is presented in a CCW chain. Unless channel end occurs before the PCI interrupt is taken, the PCI flag is propagated through the following CCW's until the interrupt is taken.

Generation and Stacking of I/O Interrupts

- Simultaneous interrupt conditions in a sub-channel generate only one I/O interrupt.
- In every channel, only one I/O interrupt at a time can be generated and presented to the CPU program.
- All other interrupts must be stacked in the control units where they originated.
- Only channel end (CE) interrupt information is stored in the sub-channel (UCW).
- CE keeps the sub-channel busy until it is cleared by the CPU program.

- Device end (DE) and attention interrupts are always stacked at the control unit; the sub-channel is not kept busy.
- In multiplex channel, an interrupt buffer contains the address of the sub-channel that requested an I/O interrupt.

Simultaneous interrupt conditions in a sub-channel generate only one I/O interrupt. A device that generates CE and DE at the same time will always cause only one interrupt. This is also true for any other combination of interrupts.

In any channel, only one I/O interrupt at a time can be generated and presented to the CPU. All other interrupts must be stacked in the control units where they originated. Control units that are connected to only one sub-channel, but control several devices, can stack interrupt information for only one of their devices.

Control units that are connected to several sub-channels, e.g. the control unit for the card devices in Figure 15, can stack interrupt information for every sub-channel. A control unit with stacked interrupt information appears busy to further start I/O instructions.

If a sub-channel has an interrupt pending, it appears busy to the CPU program and may not be used for further operations until the interrupt is cleared. This is the reason why only interrupts generated by channel end are stacked in the sub-channel. Device end type interrupts are always stacked in the control unit to keep sub-channels free for actual I/O operations.

The selector channel has only one sub-channel, and the channel remains busy until the channel end type interrupt at the end of the I/O operation is cleared. Only one channel end interrupt can be pending at any one time because only one operation that uses channel facilities can be in progress at any one time. This interrupt is never stacked at the control unit but held in the channel. Device end type interrupts are always stacked in the control units although the channel may be free.

The multiplex channel has multiple sub-channels, and the individual sub-channel remains busy until the channel end interrupt is cleared. Multiple channel end interrupts may be pending in the multiplex channel. The single interrupt to be presented to the CPU is held in the sub-channel (UCW). An interrupt buffer contains the address of this sub-channel.

Other pending channel end interrupts are stacked in the control units. Device end type interrupts are always stacked in the control units.

Clearing of I/O Interrupts

- An interrupt is said to be cleared when the CSW is transferred to the CPU program.
- Only one interrupt can be cleared at a time.
- A channel end type interrupt can be cleared by CPU acceptance or by the test I/O instruction.
- A device end type interrupt may also be cleared by a start I/O instruction.

An interrupt is cleared when the interrupt information is transferred to the CPU program. Interrupt information is stored in the CSW status portion (Figure 17).

Only one I/O interrupt at a time can be cleared and handled by the CPU program.

Channel end type interrupts can be cleared by the following two operations:

1. Acceptance of an I/O interrupt by the CPU. The system mask of the PSW contains a 1 for the particular channel; the CPU is executing instructions or is in the wait state.

The PSW's are changed and the full CSW is stored, in particular, the interrupt information is transferred from the channel to the status portion of the CSW.

On the selector channel, the single possible channel end interrupt is cleared; on the multiplex channel, the interrupt of the sub-channel indicated by the interrupt buffer is cleared.

2. Test I/O. If the sub-channel addressed by test I/O has an interrupt pending, the information will be stored in the status portion of the CSW, and the condition code is set to 01.

On the selector channel, the single interrupt possible is cleared; on the multiplex channel, the interrupt pending in the addressed sub-channel is cleared (and not interrupt requested by the interrupt buffer).

A device end type interrupt can be cleared by three conditions:

1. Acceptance of an I/O interrupt by the CPU. The interrupt information in this case must be obtained from the control unit. On the selector channel, the interrupt can be accepted only if the channel is not busy. The control unit address in this case is stored in the UCW. On the multiplex channel, the interrupt can be accepted only if the sub-channel is not busy. The control unit address is held in the interrupt buffer.

2. Test I/O. If the control unit addressed by test I/O has an interrupt pending, the information will be stored in the status portion of the CSW, and the condition code is set to 01. On the selector channel, the interrupt of the addressed control unit can be cleared only if the channel is not busy. On the multiplex channel, the interrupt of the addressed control unit can be cleared only if the corresponding sub-channel is not busy.

3. Start I/O. If a start I/O instruction specifies a control unit that has an interrupt pending, the following two conditions are possible:

- a. The pending device end type interrupt is caused by the same device on the control unit that is addressed by start I/O. The interrupt is cleared, but start I/O is not executed. The condition code is set to 01 and the status information is stored in the csw.
- b. The pending device end type interrupt is caused by a device connected to the control unit other than the one addressed by start I/O. The control unit appears busy to start I/O, and the interrupt is not cleared. The condition code is set to 01 and status information is stored but this status information contains control unit busy and not the interrupt condition from the original device. As soon as the interrupt is actually cleared, control unit end is signalled which, in turn, generates a second interrupt.

Sequencing Channel Interrupts

- Whenever an interrupt is cleared, the remaining channel interrupts are re-evaluated.
- One of the remaining stacked interrupts is accepted by the channel and sent to the CPU.
- Only channel end type interrupt information is actually transferred to the sub-channel.
- For device end type interrupts, only the device address is accepted; the information remains stacked in the control unit.

Whenever the channel interrupt signalled to the CPU is cleared, the remaining channel interrupts are re-evaluated, i.e. one of the remaining interrupts that may be present in the channel is transferred from the control unit to the sub-channel and signalled to the CPU.

On the multiplex channel, a new sub-channel address is set into the interrupt buffer; on the selector channel, the address of a device with a pending device end type interrupt is accepted by the channel.

On the multiplex channel, the interrupt information is transferred to the ucw of the particular sub-channel only if it is a channel end type; on the selector channel (one sub-channel), no channel end interrupt could be stacked at the control unit.

The priority in which interrupts stacked in the control unit are accepted by the channel depends on the sequence of how the control units are logically connected to the standard interface.

The interrupt signalled to the CPU is also re-evaluated if it is a device end type interrupt and a start I/O instruction addresses another control unit on the selector channel from which the interrupt originated. Ini-

tially, the interrupt signal to the CPU is cancelled and the device address in the ucw is cleared. The interrupt condition, however, still remains stacked in the control unit.

As soon as the interface facilities are available, the channel again accepts one of the stacked interrupts. With this arrangement, a device end interrupt does not block the channel for further I/O operations, but is still signalled to the CPU if no more-important operations are to be executed.

I/O Interrupt Handling

- I/O interrupts are accepted by the CPU in a fixed priority:
 1. Multiplex channel interrupts
 2. Selector channel 1 interrupts
 3. Selector channel 2 interrupts
- This priority can be changed by the system mask.
- During the interrupt-handling program, all further I/O interrupts must be masked off to avoid loss of vital information (csw, old I/O psw).
- I/O interrupts may be constantly masked off and cleared by the program in any priority desired (test I/O instruction).

If all system-mask bits of the psw are 1, I/O interrupts are accepted by the CPU in the fixed priority:

1. Multiplex channel interrupts
2. Selector channel 1 interrupts
3. Selector channel 2 interrupts

Obviously, it is possible to program any other priority by setting the system mask accordingly.

There is only one set of psw's for I/O interrupts. Before the first instruction of the program initiated by the new I/O psw (the interrupt handling routine), a test for further I/O interrupts is made. The systems mask of the new I/O psw therefore may not accept I/O interrupts (0 bits).

If this rule is not observed, the csw information is replaced by information concerning the second interrupt and the old I/O psw, containing information of the interrupted program, is replaced by information of the interrupt-handling routine. Essential information therefore is lost.

I/O interrupts may be constantly masked off and accepted by test I/O in any priority desired. The priority within the channels can be changed in like manner. This mode of programming, however, devaluates the interrupt system and decreases system efficiency.

Examples of Interrupt Sequencing (Figures 18 to 22)

Some examples of how interrupts are sequenced by the channels follow. The system configuration is shown in Figure 15, but only one selector channel is shown.

For the multiplex channel, only the control units are shown, as every control unit has only one device connected. The sub-channels are represented by their logical function and not with the actual connections to the interface.

For the initial system status, see Figure 18. All interrupts are masked off, and this situation has developed (no devices operating)

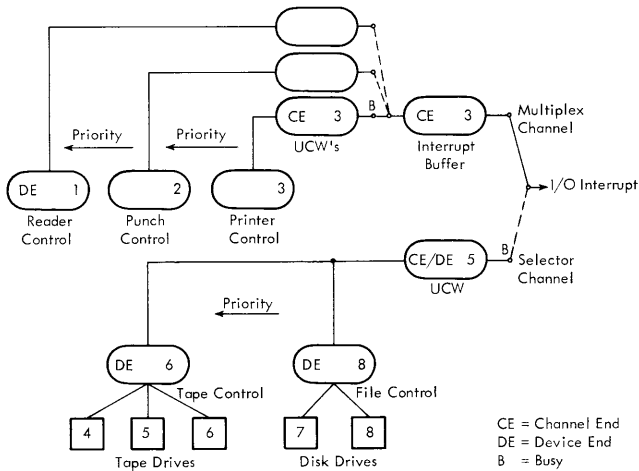


Figure 18. Initial System Status

Multiplex Channel:

Interrupt buffer: Channel end interrupt from the printer.
 Sub-channels: UCW3 busy.
 Control units: Device end interrupt stacked in reader control.

Selector Channel:

UCW busy with pending channel end and device end interrupt from tape drive 5 and device end interrupt from tape drive 6 (rewind complete).
 Tape Control: Stacked device end interrupt from tape drive 6 (rewind complete).
 File Control: Stacked device end interrupt from disk drive (seek complete).

1. Start I/O for device 6: not possible, channel busy (condition code, cc = 10). In fact, no device on the selector channel can accept a start I/O instruction.

2. Start I/O for device 3: not possible, ucw busy (cc = 10).

3. Start I/O for device 2: can be initiated (cc = 00).

4. Start I/O for device 1: start I/O is not initiated, but the interrupt is cleared (cc = 01, csw stored).

5. System mask set to 1 for the selector channel only: Interrupt from device 5 accepted and cleared (new psw masks the channel off again). ucw re-evaluated.

6. Start I/O for device 1: can be initiated (cc = 00). The situation after steps 1-6 have been executed as shown in Figure 19.

7. Reader reaches channel end.

8. Punch reaches channel end.

9. Printer reaches device end.

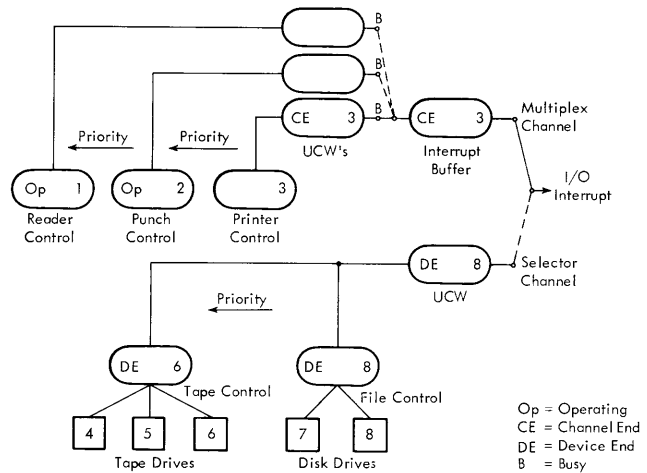


Figure 19. Situation After Steps 1 to 6

10. System mask allows selector channel interrupts: device end from device 8 accepted and cleared. ucw re-evaluated.

The situation after steps 7-10 have been executed as shown in Figure 20.

11. Start I/O for device 7: can be executed, old ucw information discarded.

12. System mask allows all I/O interrupts: channel end interrupt from unit 3 accepted and cleared, interrupt buffer re-evaluated.

13. Reader reaches device end.

The situation after steps 11-13 have been executed as shown in Figure 21.

14. System mask allows all I/O interrupts: device end from unit 3 accepted and cleared, interrupt buffer re-evaluated.

15. Unit 7 reaches channel end and device end.

16. Punch reaches device end.

The situation after steps 14-16 have been executed as shown in Figure 22.

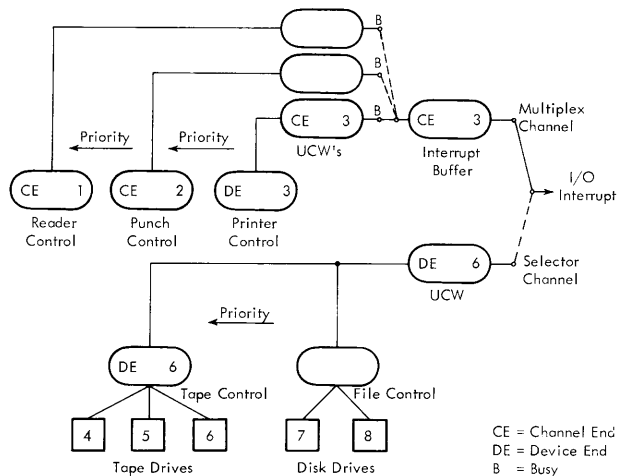


Figure 20. Situation After Steps 7 to 10

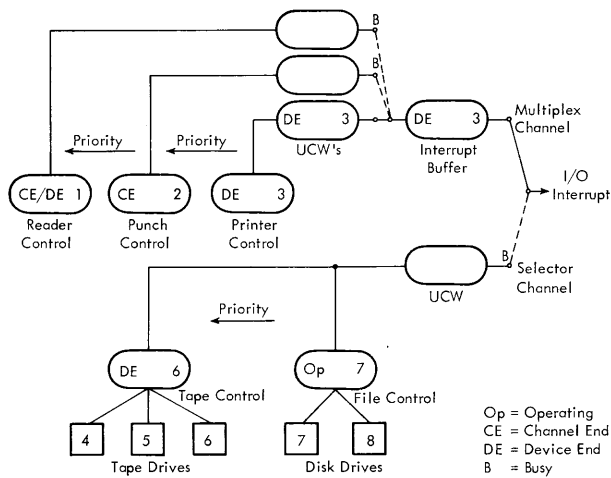


Figure 21. Situation After Steps 11 to 13

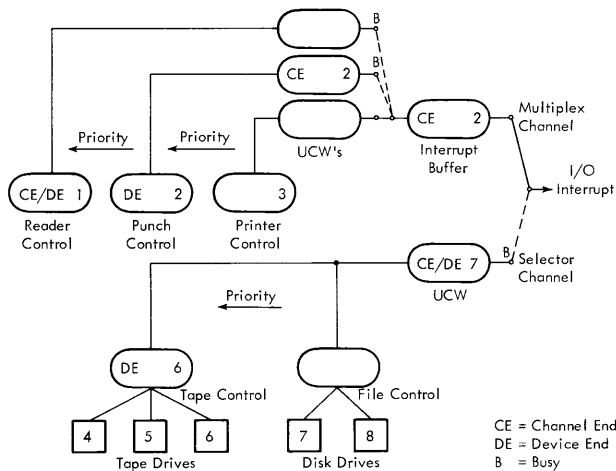


Figure 22. Situation After Steps 14 to 16

17. From this point, no new I/O operations are initiated. The system mask is set to allow interrupts from both channels after any interrupt is handled. The remaining interrupts are cleared in the following sequence:

- Channel end from the punch.
- Device end from the punch.
- Channel end and device end from the reader.
- Channel end and device end from device 7.

Initial Program Load (IPL)

- IPL is used to start loading the first program into main storage.
- Sets up ccw at MS location 0.
- Reads double word into MS location 0 from I/O addressed by IPL.
- Double word becomes first PSW.

Initial program load (IPL) is used to start loading of the first program into main storage.

After the load button has been pressed, the following actions occur:

1. A ccw is generated in location 0 of main storage which specifies the command: Read, command chaining, data address = 0, count = 24.
2. Initiates a start I/O instruction on the device addressed by the load unit switches. This may be any type of device. To illustrate the principle, the device is assumed, in this description, to be a card reader.
3. Execution of this start I/O instruction results in the first 24 columns of the first card being read into main storage, starting at location 0. The information punched into this card must be:

Columns 1-8: the first PSW to be used after IPL is completed.
 Columns 9-16: the second CCW of the IPL command chain.
 Columns 17-24: the third CCW of the IPL command chain.

4. Because the first ccw specifies command chaining, the next ccw is fetched from main storage location 0+8 (card column 9). Further operation is therefore already under control of information just read in.

It depends now entirely on the programmer how his first program is read in. He may choose to read the complete program with a single ccw chain (one ccw required to read one card) which he builds up with the following cards, or he may choose to store first a proper load program which in turn loads the problem program.

5. In any case, IPL is terminated as soon as a ccw no longer specifies command chaining. The PSW that is stored at location 0 of main storage is loaded into the data flow. The overall system status is as specified in this PSW and the first instruction is fetched from the location indicated by IC.

Multiprogramming

- During execution of a single program on any computer, the internal processing capacity is not economically used.
- For a single program, not all I/O devices installed are normally required by the program.
- Efficiency of a system can be increased by running more than one program in parallel.

On any computer, the internal processing speed is normally considerably higher than the speed of I/O units where external documents have to be handled. Particularly in commercial applications, the ratio of internal processing and I/O operations is such that the CPU has almost constantly to wait until the I/O units are ready to send or accept data.

Many jobs in a typical installation use only part of all I/O devices installed and the complete system is used for only a few jobs.

Over-all, the processing capacity of the complete system is normally not very economically used.

Efficiency of any system can be increased if at any time as many functional units as possible are working. This can be achieved by running more than one program in parallel.

This practice is referred to as multiprogramming.

Example: Refer to the sample system configuration in Figure 15. Assume that at a certain time the main job is a billing application for delivered products. The program uses the following I/O units:

- 3 disk drives containing customer and product records.
- 1 tape drive with delivery data.
- 1 printer to prepare the invoices.

The customer and product records are updated accordingly.

In this example, the printer is the slowest functional unit. No matter how high the internal processing speed or the speed of tapes and disks, the rest of the system has almost constantly to wait for the printer.

If, in this installation, other jobs are pending which need I/O devices not already used or which can be shared with the main job (disks), it is sensible to run these jobs in parallel with the main job.

Examples of other jobs possible are: tape sort (four drives available) and card to disk (or vice versa). A further program that may be permanently held in the system would provide for inquiries from the console printer concerning file data.

The time required for one particular job will be increased but, more importantly, the "throughput" will be much higher. (Throughput = number of jobs completed per unit of time.)

System/360 Concept

- **System/360 features that simplify multiprogramming:**
 1. **Optional high main storage capacities**
 2. **Re-locatable programs**
 3. **Programmed status switching**
 4. **Interrupt system**
 5. **Storage protect feature**
 6. **Interval timer**
- **A complex operating system is an integral part of the system configuration.**

Multiprogramming is basically possible on any computer although the programming effort involved is, in most cases, prohibitive. The system concept of the System/360, however, is based on multiprogram oper-

ation and provides features that simplify the programming concerned.

High Main Storage Capacity

All processors of System/360 are available with relatively high storage capacities compared with the internal processing capabilities. The IBM 2040 is available with up to 256K bytes of main storage.

Relocation of Programs

Every main storage address is specified by a displacement and the contents of a base register. A program assembled and stored in a certain main storage area can easily be moved to another area of storage by simply changing the contents of the base register. All future references to storage are in the same relation to the base address.

A specific program therefore may use at one time storage locations 1000-7000, and at another time locations 69500-75500, depending on the other programs concurrently executed.

Programmed Status Switching

The status of every program is defined by the PSW. Switching from one program to another can be accomplished at any time by replacing the current PSW with the PSW of the new program. The old program can be continued later at exactly the point and the status at which it was left.

Interrupt System

Asynchronous conditions are signaled to the program at the time they occur (I/O termination). Once such operations are initiated, the individual program can ignore them, and if the termination of such operations is essential to carry on, can turn control over to another program that can process data during the dead time of the first program.

If the interrupt caused by termination of the I/O operation comes in, the second program is abandoned, and control returned to the original program.

This switching from program to program at interrupt time can obviously be done between more than just the two programs mentioned.

Storage Protect

Storage protect is a special feature available on the IBM 2040.

The storage protect feature protects the contents of certain areas of storage from destruction due to erroneous storing of information during the execution of other programs.

Protection is achieved by identifying blocks of storage with a storage key and comparing this key with a protection key supplied with the data to be stored.

The detection of a mis-match results in a protection interrupt.

For protection purposes, main storage is divided into blocks of 2,048 bytes. A four-bit storage key is associated with each block. When data are stored in a storage block, the storage key is compared with the protection key. When storing is specified by an instruction, the protection key of the current Psw is used as the comparand. When storing is specified by a channel operation, a protection key supplied by the channel is used as the comparand. The keys are said to match when they are equal or when the protection key is zero.

The storage key is not part of the addressable storage. The key is changed by set storage key (SSK) and is inspected by insert storage key (ISK). The protection key in the Psw occupies bits 8-11 of that control word. The protection key of a channel is recorded in bits 0-3 of the CAW.

When a protection mismatch due to an instruction is detected, the execution of this instruction is suppressed or terminated, and the program execution is altered by an interrupt. The protected storage location always remains unchanged.

Protection mismatch due to an I/O operation causes the data transmission to be terminated in such a way that the protected storage location remains unchanged. The mismatch is indicated in the CSW stored as a result of the operation.

Interval Timer

The timer is provided as an interval timer and may be programmed to maintain the time of day. The timer consists of a full word in main storage location 50 hex. The timer word is counted down under control of the line frequency. The timer word is treated as a signed integer following the rules of fixed-point arithmetic.

An external interrupt condition is signaled when the value of the timer word goes from positive to negative. The full cycle time of the timer is 15.5 hours.

An updated timer value is available at the end of each instruction execution, but is not updated in the stopped state. The timer is changed by addressing storage location 50 hex.

As an interval timer, the timer is used to measure elapsed time over relatively short intervals. It can be set to any value at any time.

In multiprogramming, the timer may be used to measure the time consumed by the individual jobs (billing) or to prevent a program from monopolizing the CPU (if one of the jobs is program testing for example, where a program error may cause an indefinite loop).

Operating System Principles

- The operating system (OS) is a supervisor program that controls the problem programs of the customer.
- The operating system is tailored to the individual system.
- Operating system programs for real-time computers are very sophisticated.

Because of the wide variety of possible System/360 configurations, the operating systems are more or less tailored to the individual system and to the customers' need (multiprogramming, real time, etc.).

On smaller systems, the optional features, interval timer and storage protect, would also affect the operating system. It is obvious that an IBM 2040 with 16K main storage cannot store or use a supervisory system that uses 30K locations.

It is assumed that all OS programs are permanently stored within the physical system, e.g. one tape unit with the system tape or part of a disk file has no other function than to be part of the operating system.

The programmed portion of the OS is sub-divided into five parts with distinct functions as follows:

Supervisor System

The supervisor system is that part of the system which exercises supervision over the other parts and maintains status records and operating statistics. Supervision is the combined function of allocating, scheduling, dispatching and execution of jobs, including readying jobs for execution and maintaining records of machine, system, and job status together with operating statistics.

Supervision can therefore be defined as the set of control functions exercised by the system and the record-keeping associated with these functions.

Allocation is the action of assigning a machine facility for some purpose, such as assignment of an area of main storage to hold a certain program, or a given tape drive to hold a certain tape file.

Scheduling is the process of ordering future events (jobs), e.g. determining in which order and at what times they will take place. Jobs are defined and initiated by the user by means of job decks. Jobs may be run in any order or combination, except for orders based on job priorities.

Dispatching is the act of causing events actually to occur according to the schedule.

Load programs and housekeeping programs for the system file and programs for the interface operator-machine are also included in the supervisor system. These programs are commonly referred to as supervisor or monitor programs.

Input/Output Control System (IOCS)

The input/output control system is that part of the system concerned with the use of the various input/output elements. It contains the actual routines for I/O operations.

The problem programmer specifies I/O instructions in symbolic form which are translated into supervisor calls by the assembly routines. The execution of these instructions is under control of the operating system.

The supervisory program tells the IOCS what physical units are concerned and what operation has to take place. The IOCS in turn executes and controls the operation (error routine) and, upon termination, hands control back to the supervisor.

"Debugging" System

The "debugging" system comprises those parts of the system that assist programming in the location of malfunctions in any part of the operating system. Programs in this section are:

1. Routines for handling program interrupts (program errors)
2. Routines for handling machine check interrupts (machine errors)
3. The diagnostic monitor
4. Diagnostic programs

System Processors

The system processors are those programs residing in the system library which are used by the system to execute certain standard jobs. Typical of these are the autocoder assembler, FORTRAN assembler, COBOL assembler, sort programs, etc.

Problem Program Library

The problem program library consists of all customer programs for the particular system.

Error Detection and Handling

- The system is kept running as long as possible.
- If possible, programmed recovery is attempted.
- Distinction is made between machine and program errors.
- Machine malfunctions in one unit may not cause errors in another unit.

The fundamental operating characteristic of a System/360 is its continuously operating state. During normal system operation the system should never be stopped. Error detection, therefore, may not stop the system if programmed recovery is possible.

In System/360, distinction is made between machine malfunctions and programming errors. Program errors may not cause indication of machine malfunctions.

Machine Malfunctions

The IBM 2040 is comprehensively checked by redundancy checking, consisting mainly of parity check circuits. All data transfers between functional units are checked by byte. The control circuits are also checked.

If the system is in normal processing mode and a machine check is detected, the machine is frozen at the end of the internal cycle and the complete error environment is stored in coded form into main storage.

This operation is called log out and provides a powerful tool for customer engineering, as the status of all important functional units and information about the program conditions at the time of error are recorded for future investigation.

After the log out is executed, an internal checkout routine applies a check to all functional units. A machine malfunction during this test will stop the system and customer engineer intervention is necessary. If, however, this checkout does not show any machine malfunctions, it is assumed that the original error is no longer present (intermittent failure) and that system operation can be resumed.

The system is then reset and a machine check interrupt is taken. Error data can be analyzed by program and either a re-try of the failing instruction or a branch to the last program check point can be initiated.

Machine errors detected in an I/O unit cannot cause errors in the CPU and vice versa. By design, the data sent across the interface are always in good parity. Control checks detected in I/O units are sent to the CPU as status information. By programming it is possible to obtain more detailed information about I/O unit conditions (sense command).

Programming Errors

Programming errors detected by the CPU lead to a program check interrupt. Reasons for program checks are listed in the "Interrupt System," section.

Program checks normally occur during program testing only. The program check interrupt routine indicates to the programmer what condition occurred but abandons the program.

Program checks during actual operation will indicate that certain specifications were not considered (length of result fields or tables that now exceed the available storage size). The program will again be abandoned with the proper indication to the operator.

In multiprogram mode, the remaining programs are carried on immediately.

- To the programmer, all processors within System/360 look the same; internal circuitry, however, may be entirely different.

Figure 23 shows a simplified data flow of the IBM 2040. Any processor within the System/360 line has the same architecture, i.e., the internal language, the interpretation of instructions and its basic building blocks as seen by the programmer are identical. See detail A of Figure 23.

To the programmer, the various models differ only in storage and channel capacities and in the internal processing speed.

These differences affect the actual circuitry as every model of the line should be the most efficient implementation of its specifications. The IBM 2040 processor is a microprogram-controlled computer, using SLT (solid logic technology) components. The data flow is explained in more detail in the following sections.

Main Registers and 16-Bit Data Flow

- Five main data registers are provided, each two bytes wide, interconnected by a 16-bit data path.

Figure 24 illustrates the basic components of the 2040 CPU. There are five registers, each two bytes wide. A byte is eight bits plus one parity bit, and is the fundamental unit of data in the System/360. The A, C, and R registers have extender bits in the high-order positions. The use of the extender bits is explained in the "Main Storage" section. In general, data transfers are 16 data bits plus 2 parity bits in parallel.

Hereafter, mention will be made only of data bits in transfers; parity is assumed as one extra bit per byte. Each register, may transfer its contents to any of the others via the R register, or back to itself, in one machine cycle.

ALU and 8-Bit Data Flow

- Basic registers are connected to the ALU by an independent 8-bit data path.
- ALU processes one data byte at a time.
- P and Q are input registers for ALU.

To enable arithmetic and logical operations to be performed on the data in the registers, the arithmetic

and logic unit (ALU) is added to the data flow. See Figure 25. The ALU has two inputs, P and Q, each 8 bits wide plus a parity bit.

Arithmetic and logical operations are performed on one byte at a time. To interconnect the ALU and registers an 8-bit data bus is provided, as in Figure 25. Data on the bus can be selected from, or directed to, either the low- or high-order byte position of the register concerned.

For example, to add the contents of B and D and store the result in D, the low-order bytes from B and D would be fed to the P and Q inputs, respectively, and the ALU output gated back to the low-order position of D. The same operation would then be performed on the high-order bytes, any carry from the low-order addition being added in for the final cycle.

Staticizer Latches (Stats)

- Staticizer latches are multipurpose latches to indicate various machine conditions.
- Some stats are connected to the 8-bit ALU data bus.

In Figure 26, the staticizer latches (stats) are added. They may be set to indicate a machine status such as condition code. Other uses of these stats are as an intermediate temporary storage, to alter control functions, or to extend the number of controls possible with a given set of lines.

In the broadest sense, although the stats may have names denoting their primary functions, they may be regarded as a set of general purpose latches. Thus, a stat may be set to indicate that some condition has arisen, and the microprogram can test for the condition, branch to an appropriate routine, and reset the stat that originally indicated it.

A group of eight stats is connected to the ALU data bus. This gives the possibility of handling control information with all the facilities available for data.

Local Storage and Addressing

- Local storage is a high-speed core storage with a capacity of 144 22-bit locations, operating in split-cycle mode.
- Local storage contains several control and working areas and is the physical location of the 16 general and 4 floating-point registers.

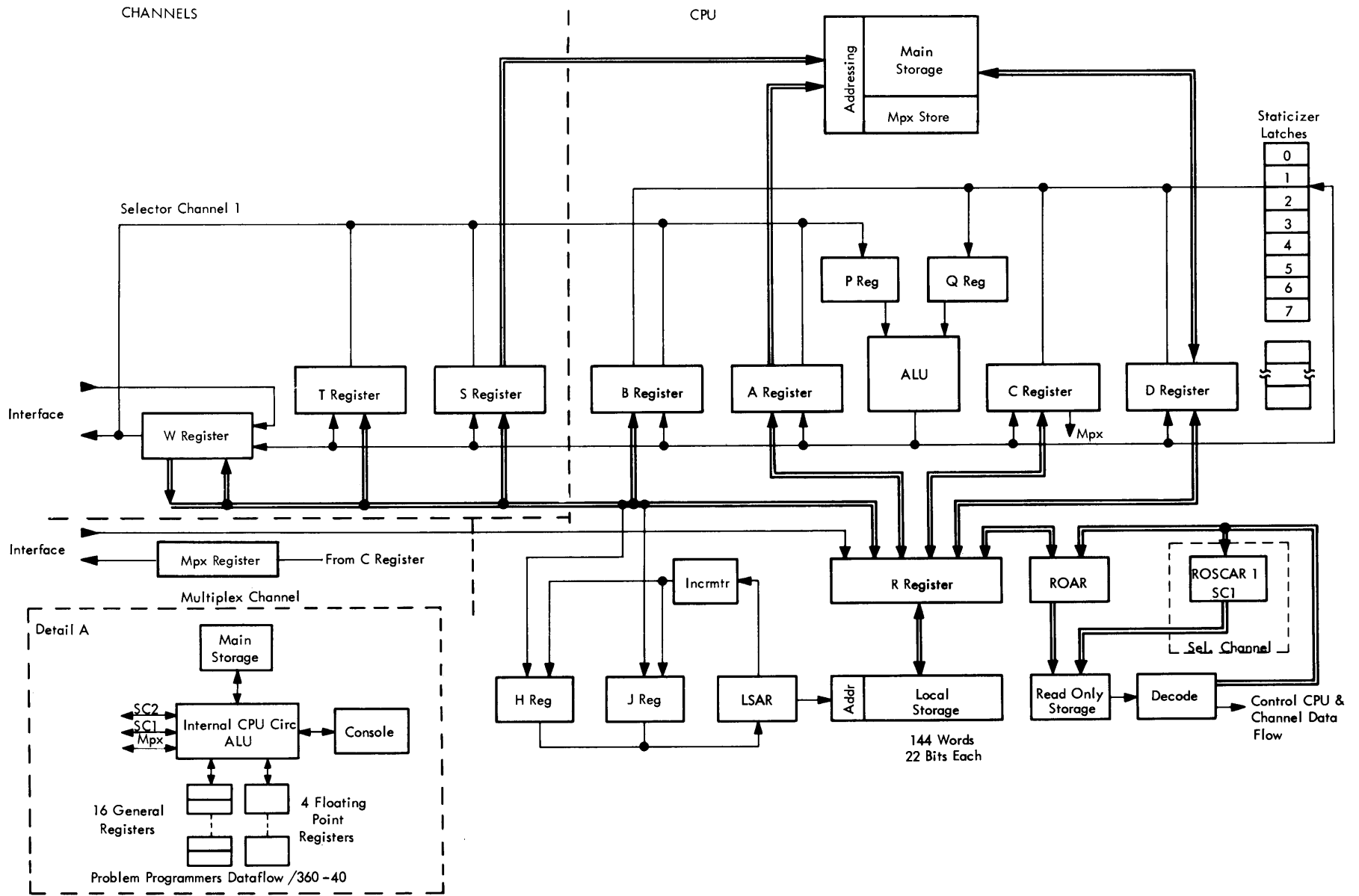


Figure 23. 2040 Simplified Data Flow

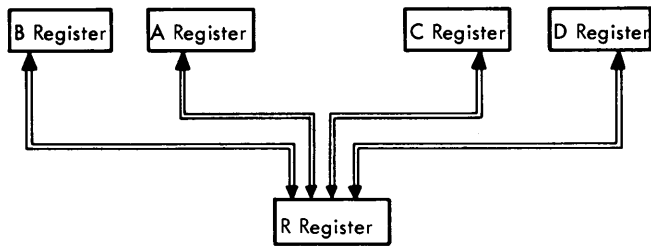


Figure 24. Main Registers and 16-bit Data Flow

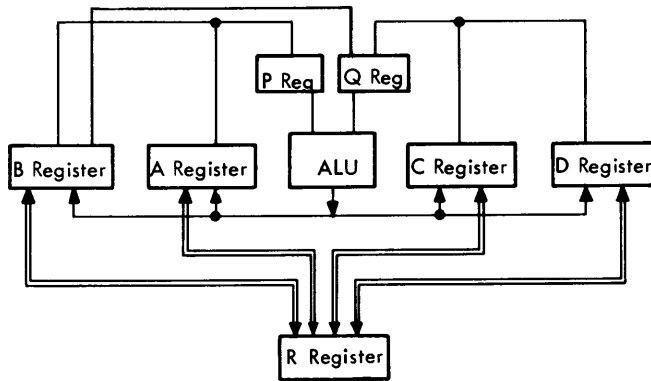


Figure 25. ALU and 8-Bit Data Flow Added

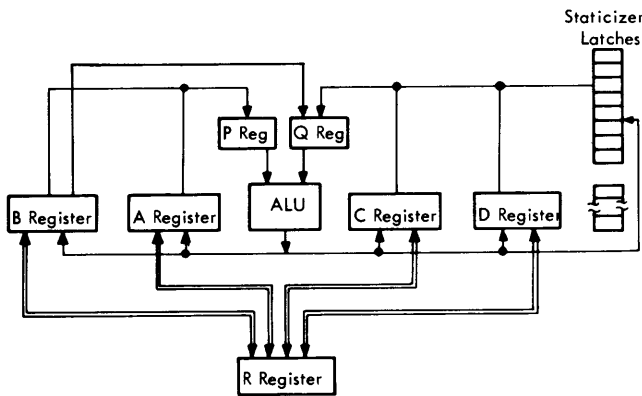


Figure 26. Staticizer Latches Added

- The R register is the data register of local storage.
- LSAR is the address register of local storage.
- The local storage address loop is connected to the R register data bus via H and J registers.

The local storage (LS) is a high-speed core storage with a capacity of 144 22-bit locations. LS read and write cycles may be run independently (split-cycle mode), each cycle (read or write) being 625 nanoseconds, which is the basic CPU timing cycle.

For high-speed access to several locations in sequence, LS would be cycled using continuous read calls and the contents of the accessed locations transferred each cycle to the required destination.

LS is used as a general-purpose, high-speed intermediate storage. It also has locations reserved for specific functions. Thus, the general and floating-point registers “seen” by the problem programmer are locations in LS. Additional uses include channel control, working space, PSW storage, and dump areas for use during microprogram interrupts.

The LS data register is the R register which is connected to the other main data flow registers. Figure 27 illustrates the addition to the data flow of LS and its addressing circuits.

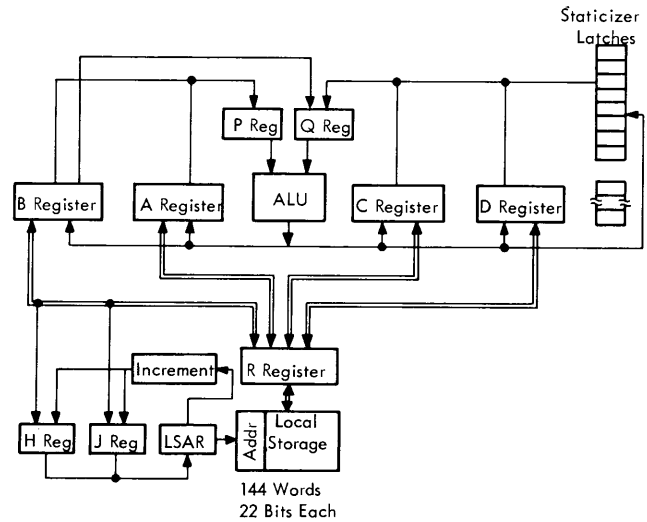


Figure 27. Local Storage Added

The local storage address register (LSAR), the incrementer, and registers H and J form the address loop. The incrementer can alter the LS address by ± 1 , -2 , or 0 . LSAR contents are routed through the incrementer to H or J. The purpose of H and J is to hold LS addresses for subsequent use in LSAR.

LSAR is loaded at the beginning of the machine cycle, H and J at the end. Thus, an address can be set into LSAR at the start of a cycle, used to call LS, transferred to H or J via the incrementer at the end of that cycle, and transferred back to LSAR for use at the beginning of the next cycle, and so on.

The LS address loop bus is 8 bits plus one parity bit wide. Data may be loaded into the LS address loop registers from the machine data flow and also from entry switches on the console.

Main Storage (MS)

- Main storage is a core storage with a capacity of up to 256K bytes (128K halfwords). It operates in split-cycle mode with a total cycle time of 2.5 microseconds.

- Main storage always reads or writes one halfword (two bytes) at a time.
- Main storage data register is the D register.
- Main storage address registers are the A or S registers.
- Main storage is addressed with binary addresses up to 18 bits.
- With a special address bit (stat Y1), a special area, called multiplex storage, can be addressed.

Figure 28 shows the addition of main storage to the data flow. The addition of a main storage array to the data flow provides an immediate-access bulk store which can be used to hold program instructions and data. The main storage (MS) in the 2040 may have a capacity of 16, 32, 64, 128, 192, or 256 K bytes.

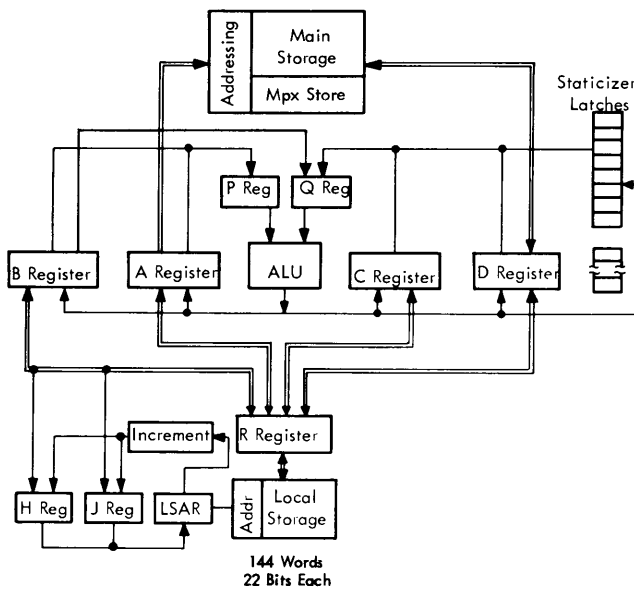


Figure 28. Main Storage and 16-Bit Buses Added

MS always reads or writes two bytes at a time and operates in split-cycle mode. The time for one complete cycle, read and write, is 2.5 microseconds, or 4 times the basic machine cycle of 625 nanoseconds. This means that MS access can take place once every four machine cycles.

Data Transfers

Figure 28 shows that MS data are transferred via a 16-bit bus to register D, whose special purpose is to act

as the main storage data register. All data in and out of the array are routed via register D and the 16-bit bus.

Addressing

The MS address circuits are fed by register A (or S for selector channel), whose special purpose is to act as the main storage address register. These registers are connected to the MS address decoders via the address bus. The A register content is decoded as a binary number.

The various storage capacities are defined by the number of bits contained in the address. A capacity of 128K bytes actually means that the storage is addressed with 17 bits and has a total number of 131,072 storage locations. Data are stored in MS in halfwords, or 16 bits plus 2 bits parity. The MS is thus said to be 16 bits wide. Every access to MS results in 16+2P bits being set into or stored from D. The lowest-order bit in the MS address in A denotes the byte concerned. The actual address lines do not use this low-order bit which is reserved for byte selection only.

Extended Addressing

Seventeen binary lines are needed to address 128K bytes of storage, and 18 binary lines are needed for 192K and 256K. To accommodate the extra address bits, the A, C, and R registers have extenders (3 bits plus parity) called AX, CX, and RX, respectively. The A register (Figure 28) needs the extender because it addresses main storage. The C register needs the extender because it receives updated addresses from ALU, and the R register because it transfers addresses between the C and A registers.

Special Area

At this point, main storage, with address and data registers and buses, has been added to the data flow. In addition, there is a special multiplex storage area in MS. This comprises additional locations which can be accessed only for multiplex channel operations when a stat called Y1 is set (this stat serves as an additional address bit for MS addressing).

The special area contains one ucw (unit control word, 10 bytes) for every multiplex subchannel and contains the necessary control information to sustain the operation of a subchannel.

Control

- Transformer read only storage (TROS) stores the microprogram that controls the data flow.
- TROS can be addressed with information coming from the data flow.

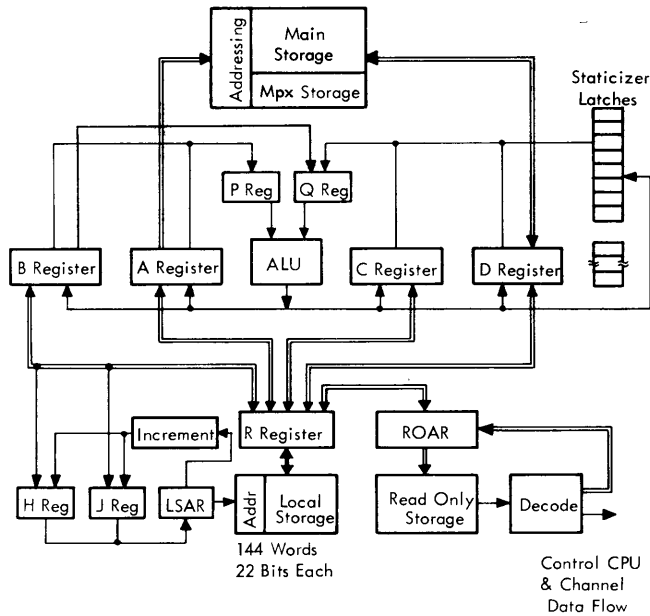


Figure 29. The Read Only Storage Added

Control of the data flow (Figure 29) is accomplished by a microprogram in TROS, and logic circuits such as control lines, control latches, and stats.

Channels

- Channels provide the data path and control between main storage and I/O devices.
- The entire CPU data flow may be used as a channel.
- CPU and channel operations cannot be executed simultaneously.

The basic function of a channel is to provide the data path for I/O information between main storage and I/O device. The channel also controls the information transfer. A channel is an independent computer for I/O operations.

Some hardware is added to the basic CPU to perform the channel functions with the original computer. Separate microprograms (channel programs) control the entire operation, which may include data handling within the CPU and control of the I/O device via the interface.

It is obvious that this design provides either a CPU or a Channel and the two units cannot operate simultaneously. However, CPU and channel operations are interleaved to give the most efficient over-all performance. The time used to read a record from tape from the start I/O instruction until the record is available in main storage, is split up into CPU and channel time and most of this time will be available for the CPU.

Multiplex

- The only special hardware for the multiplex (MPX) channel is the circuitry required to communicate with the interface and the special MPX storage area in main storage.
- Any microprogram interrupt by the multiplex channel dumps the CPU.

The multiplex channel has no special data flow circuits except those necessary in connection with the standard interface.

The R bus is gated from the interface line terminators for read data, the low-order byte of register C is gated to the interface line drivers for write data.

Special channel-control circuitry includes main storage, MPX storage, and the logic for generating and analyzing interface control signals.

For any microprogram interrupt, the CPU has to be "dumped" (data flow contents preserved in local storage for later retrieval) in order to have the entire data flow available as channel.

Example: To accept one byte of read data from the interface, the following sequence will take place:

1. A device on a mpx subchannel is ready to send one byte of data and requests a microprogram interrupt.
2. The data flow, which is currently used as CPU, is dumped into local storage leaving the data flow path available to the mpx channel.
3. The channel function now taking place includes:
 - a. Identifying the device
 - b. Fetching necessary control information from mpx storage
 - c. Accepting the data byte from the interface and gating it to the D register and to main storage
 - d. Updating mpx storage
4. Undump (i.e. retrieve the original data flow from local storage) and continue CPU processing.

On burst mode operations on the mpx channel, the CPU is monopolized for the entire I/O sequence; therefore, no CPU processing time is available for the duration of the data transfer.

Selector Channel

- Only D register has to be dumped.
- A five-byte data-buffer is provided between interface and channel.
- Independent MS address register is S register.
- TROS is addressed by independent ROSCAR.
- T register and other registers are provided for control information.

In addition to the circuitry required to communicate with the standard interface, the selector channels (Figure 23) contain a five-byte data-buffer and reg-

isters for control information (ucw information). These facilities make the selector channels almost independent of the CPU hardware.

Only the MS access path is shared with the CPU (D register). Therefore, the CPU content of the D register has to be preserved during channel operations.

The two main CPU units which are duplicated in the channel are:

1. An additional main storage address register (S register).

2. An additional TROS address register (ROSCAR, TROS channel address register).

With this independent hardware, channel interference with the CPU is kept to a minimum.

During data transmission, the CPU program is only halted for the transfer between main storage and buffer.

Example: To accept read data from the interface, the following sequence will take place:

1. Data transfer between interface and buffer is completely independent of CPU operation.

2. Whenever two bytes of data are available in the buffer, the CPU operation is halted and control is switched from ROAR to ROSCAR.

3. The channel preserves the D register contents and directs the buffer contents to main storage.

4. D register is restored and control is handed back to ROAR.

CPU Timing

- Basic machine cycle is 625 nanoseconds divided into overlapping timing pulses of equal length.
- One set of timing pulses is continuously available (P pulses); a second identical set only for the cycles in which microinstructions are to be executed (T pulses).

The basic machine cycle of 625 nanoseconds (1 nanosecond = 10^{-9} seconds) is split into eight overlapping timing pulses of equal length, time 1 to time 4 delayed (del).

One continuously available set of pulses is called P pulses (P1 to P4 del). A second identical set is generated whenever microinstructions are to be executed. This set is called T pulses (T1 to T4 del). T pulses are developed by gating P pulses. The only time when T pulses are blocked is during "hardware" cycle and in "hardstop."

Some basic data-flow timings are shown in Figure 30. LSAR, P and Q are set early in the cycle. A, B, C, and D are set late in the cycle.

Local storage is called early; LS data are available or have to be in the R register in the first half of the cycle. The ALU output is available late in the cycle.

According to these timings within the machine cycle, the following data transfers are possible in one cycle:

1. On the 16-bit path:
 - a. Transfer from one register (A, B, C, and D) to any other (via R), or

- b. Transfer between a register (A, B, C, and D) and local storage (via R).
2. On the 8-bit ALU data path:
 - a. Transfers from registers (A, B, C, and D) to ALU registers P and Q and
 - b. Performing the ALU function, and
 - c. Gating the ALU output to a register (A, B, C, and D).

Operations on the two data buses (R register and ALU) can occur simultaneously.

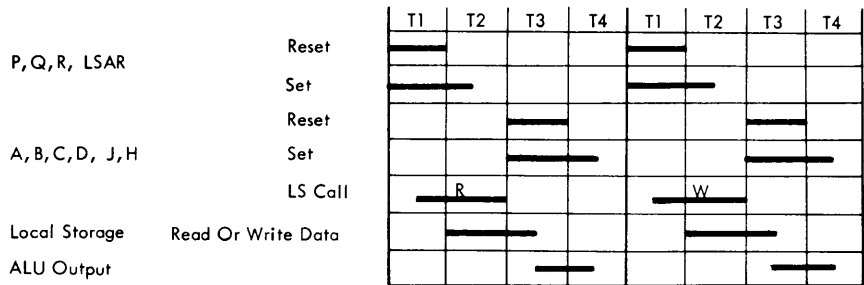
CPU and MS Timing

- The basic main storage cycle is 2.5 microseconds.
- To complete one main storage cycle, 4 machine cycles are necessary.
- Between main storage read and write half cycle an unspecified number of machine cycles may take place.

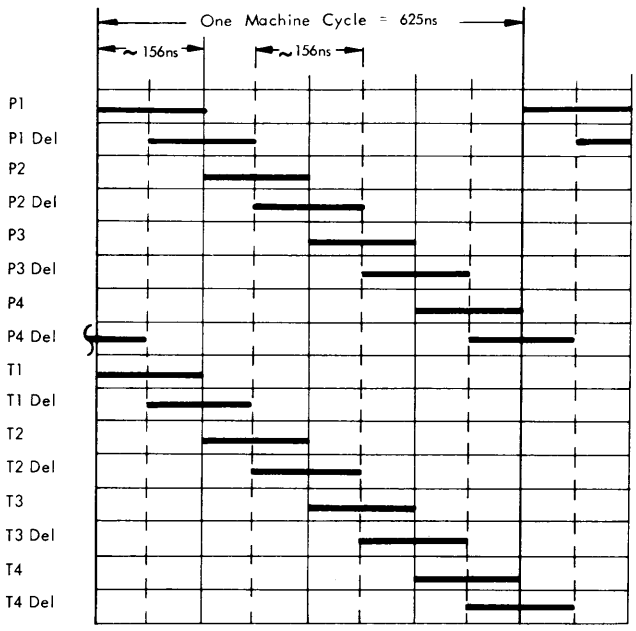
The basic main storage cycle is 2.5 microseconds split in two halves for read and write. In order to complete one main storage cycle, four machine cycles are necessary (example: read out information and restore the location).

Between the read and write cycle of main storage an unspecified number of machine cycles may take place (zero up to any number).

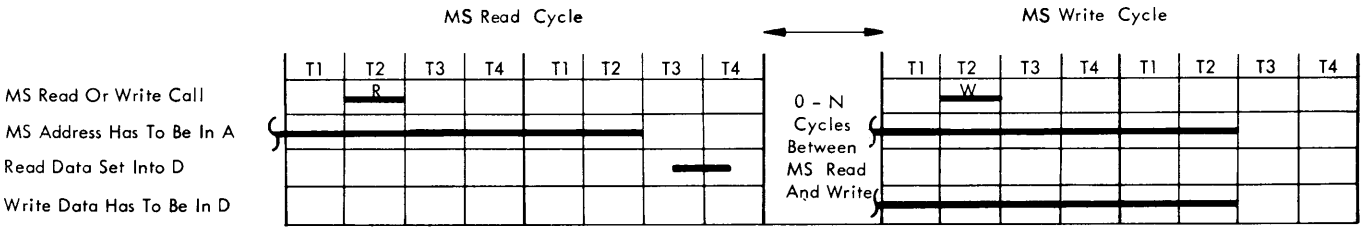
Figure 30 shows the relationship between main storage and CPU timing.



BASIC DATAFLOW TIMINGS



BASIC TIMING PULSES



CPU AND MAIN STORAGE TIMING RELATIONSHIP

Figure 30. Timing Relationships

A single step of a microroutine is called a microinstruction. A microinstruction is very similar to a machine-language instruction. Microinstructions can test conditions and branch, move data, and set and reset *STATS*.

Before the *IBM System/360*, electronic circuits controlled the functions of the computer. Once the operation code was analyzed, special circuits were activated for every microstep, and sequencing and control functions required special circuits for almost every machine-language instruction.

In the *IBM 2040* processor, the standard data flow circuits are controlled by stored program routines held in transformer read only storage (*TROS*).

The *IBM 2040* can be considered as a group of general purpose logic circuits with a microprogram that simulates the *IBM System/360* architecture. With a different microprogram, any other computer could be simulated.

Two microprograms actually simulate the 1401 and 1410 (special features called 1401/1460 and 1410/7010 compatibility feature).

The capacity of *TROS*, an inductive type storage, can vary to a maximum of 8,192 words or microinstructions. *TROS* contains fixed, predetermined information that can only be read out. The information is printed as drive lines on plastic tapes. These drive lines act as primary windings of coupling transformers for all bit positions where information is desired.

There are two 56-bit words on a tape. The *TROS* control word always causes the same actions and tests to take place. Variations of a microroutine are possible only by branching to alternate *TROS* control words. A control word controls the system data flow, controls special circuits, determines the next *TROS* address, and parity-checks itself.

Index

Address Generation		
base address	23	
displacement	23	
index	23	
Basic data paths		
ALU	53	
main registers	53	
staticizer latches	53	
Binary fixed-point arithmetic		
add and subtract	16	
divide	17	
multiply	17	
Branch instructions		
branch and link	28	
branch on condition	28	
branch on count	28	
condition code	28	
Channel		
address word	40	
command word	40	
control	41	
multiplex	37	
operation	38	
program	38	
selector	38	
status	42	
status word format	42	
Channel data paths	57	
Coding		
binary	11	
data	10	
decimal	10	
hexadecimal	10	
Configuration	35, 36	
Control storage	56	
CPU status		
masked or interruptible	35	
running or waiting	34	
stopped or operating	34	
supervisor or problem	35	
Data flow	54	
Data-handling instructions	24	
Decimal arithmetic	20	
Decimal coding	10	
Error detection		
machine malfunctions	52	
programming errors	52	
Floating-point arithmetic		
add and subtract	18	
divide	18	
examples	19	
multiply	18	
notation	18	
Functional units	9	
Hexadecimal coding	10	
I/O device addressing	39	
I/O instructions		
halt I/O	44	
start I/O	43	
test channel	44	
test I/O	44	
I/O interrupts		
attention	45	
channel end	45	
clearing	46	
control unit end	45	
device end	45	
examples	48	
generation and stacking	45	
handling	47	
program control	45	
sequencing	47	
I/O operations		
control	37	
data transfer	37	
test	37	
Initial program load	49	
Instruction format	22	
Instruction length code	34	
Instruction types		
branch instructions	27	
commercial instruction set	24	
data-handling instructions	24	
logical instructions	27	
scientific instruction set	24	
standard instruction set	24	
status switching instructions	30	
universal instruction set	24	
Interrupt code	33	
Interrupt types	33	
I/O interrupts	45	
Interrupts		
external	31	
I/O	31	
machine-check	31	
program-check	31	
supervisor-call	31	
Local storage	53	
Logical instructions	27	
Main storage		
addressing	56	
data transfers	56	
Masking of interrupts	32	
Microprogramming concepts	60	
Multiplex channel	37	
Multiprogramming	49	
Operating system		
I/O control system	52	
supervisor system	51	
Permanent storage assignments	32	
Priority of interrupts	32	
Program status word	29	
PSW Bits		
AMWP	30	
condition code	30	
instruction counter	30	
Selector channel	38	
Standard interface	36	
System timing	59	
Timing — Basic system	59	

READER'S COMMENT FORM

System/360 Model 40
Comprehensive Introduction
FETOM

SY22-2840-2

- How did you use this publication?

As a reference source As a classroom text As a self-study text

We would appreciate your comments; please give section or figure titles where appropriate.

- What sections or figures were particularly useful or understandable to you?

- What sections or figures could be improved? How?

- What sections or figures require additional information?

- Any other comments?

- How do you rate this manual?

If you desire a reply by the group that prepared this manual, include your name and address.

CUT ALONG THIS LINE

YOUR COMMENTS, PLEASE

Your answers to the questions on the back of this form, together with your comments, will help us produce better publications for your use. Each reply will be carefully reviewed by the persons responsible for writing and publishing this material. All comments and suggestions become the property of IBM.

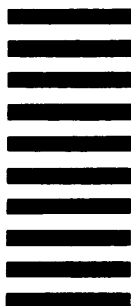
Note: Please direct any requests for copies of publications, or for assistance in using your IBM system, to your IBM representative or to the IBM branch office serving your locality.

fold

fold

FIRST CLASS
PERMIT NO. 419
POUGHKEEPSIE, N.Y.

BUSINESS REPLY MAIL
NO POSTAGE STAMP NECESSARY IF MAILED IN THE UNITED STATES



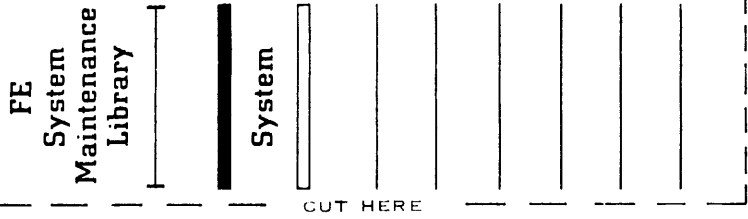
POSTAGE WILL BE PAID BY

**IBM CORPORATION
P.O. BOX 390
POUGHKEEPSIE, N.Y. 12602**

ATTENTION: FE MANUALS, DEPT. B96

fold

fold



SY22-2840-2

System/360 Mod 40 Comprehensive Introduction (FETOM) Printed in U.S.A. SY22-2840-2

IBM

**International Business Machines Corporation
Data Processing Division
112 East Post Road, White Plains, N.Y. 10601
{USA Only}**

**IBM World Trade Corporation
821 United Nations Plaza, New York, New York 10017
{International}**